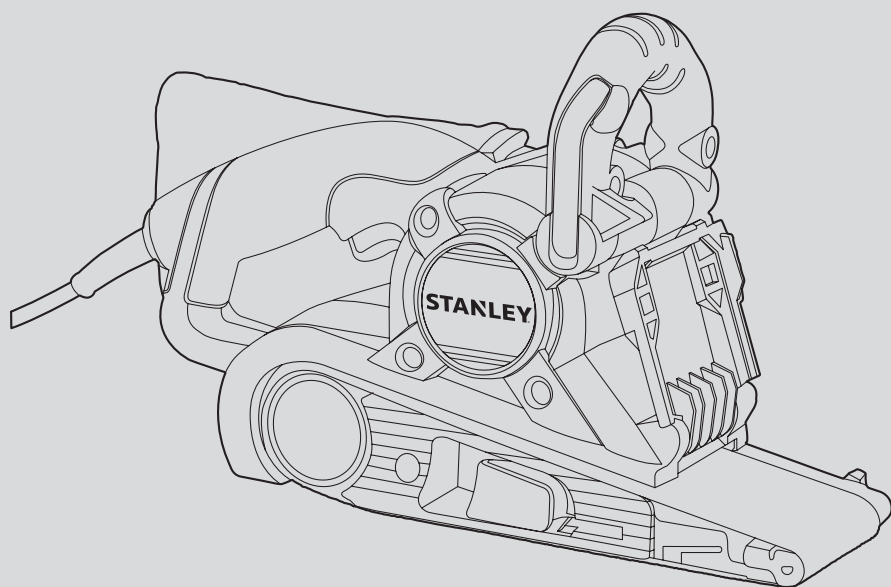


STANLEY



STBS720

| | | |
|-------------------|------|----|
| English(Original) | Page | 4 |
| Russian | Page | 12 |
| Ukrainian | Page | 22 |

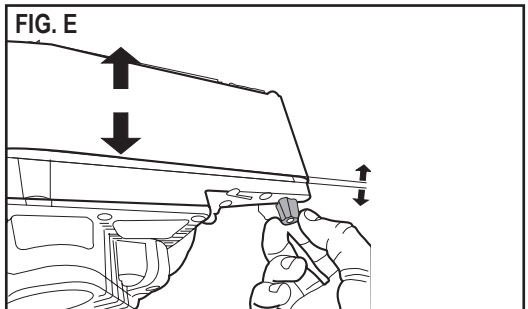
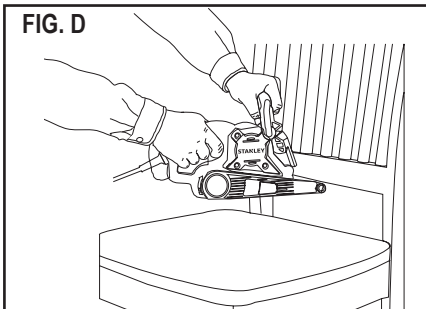
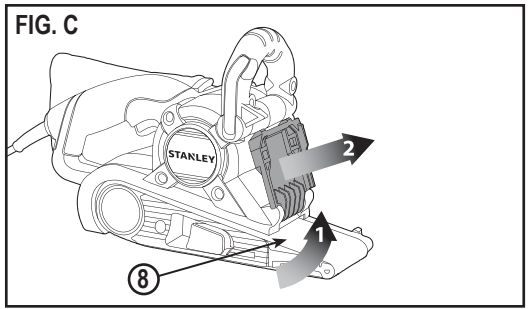
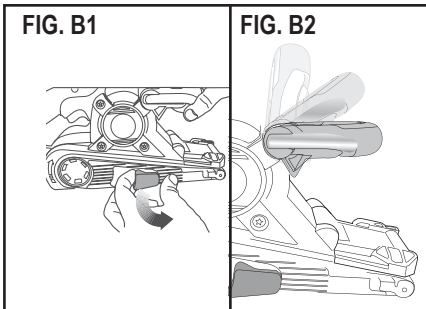
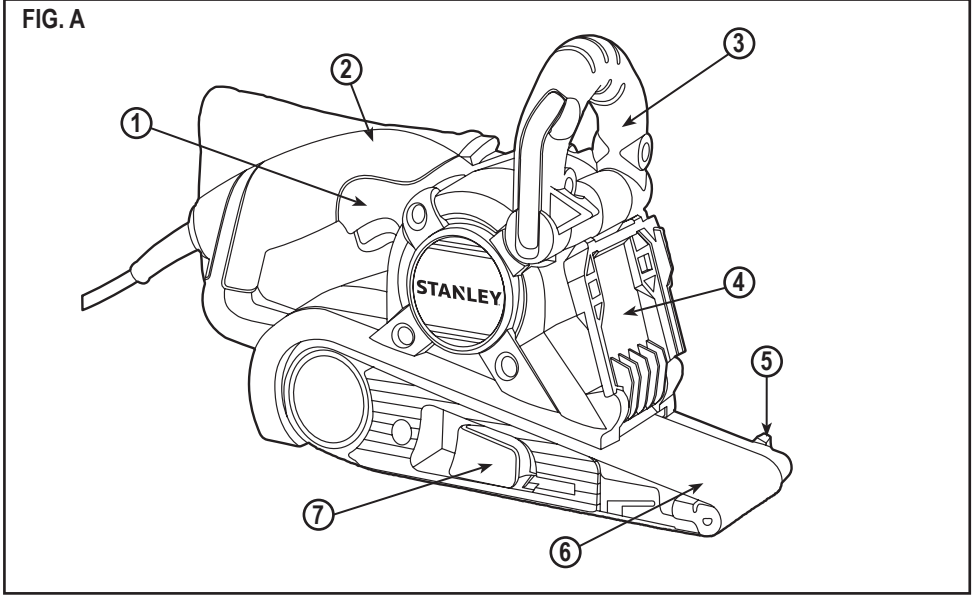


FIG. F

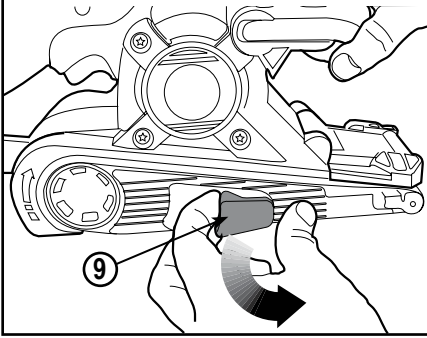


FIG. G

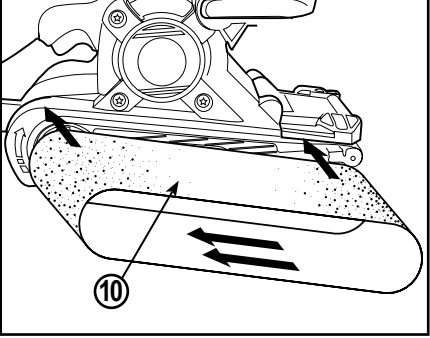


FIG. H

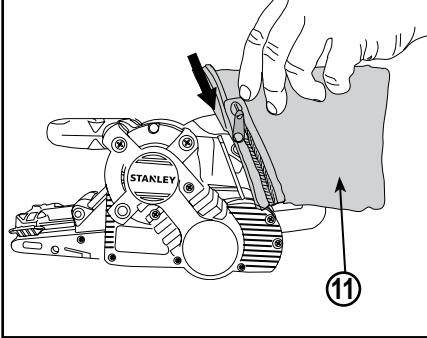


FIG. I

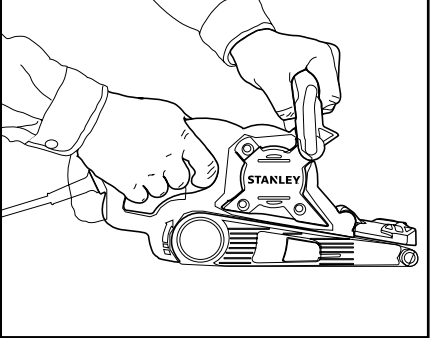


FIG. J

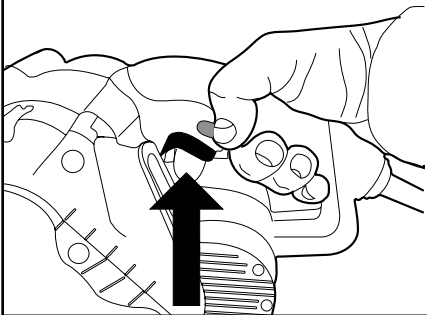
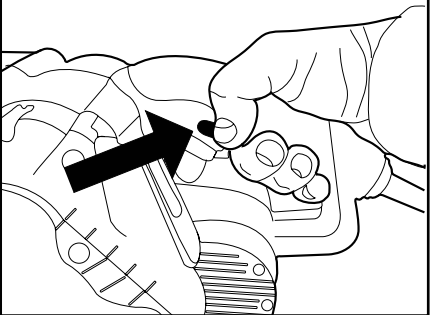


FIG. K



Specifications

| | STBS720 |
|---------------|----------|
| Power | 720W |
| Voltage | 220-240V |
| Frequency | 50/60Hz |
| No-Load Speed | 800/min |

DO NOT RETURN THIS PRODUCT TO THE STORE,
first contact your local STANLEY Office
or nearest authorized service center.

General Safety Rules



Warning! Read and understand all instructions. Failure to follow all instructions listed below, may result in electric shock, fire and/or serious

personal injury.

SAVE THESE INSTRUCTIONS

Safety instructions

General power tool safety warnings



WARNING! Read all safety warnings and all instructions. Failure to follow the warnings and instructions listed below may result in electric shock, fire and/or serious injury.

Save all warnings and instructions for future reference.

The term "power tool" in all of the warnings listed below refers to your mains operated (corded) power tool or battery operated (cordless) power tool.

1. Work area safety

- Keep work area clean and well lit.** Cluttered or dark areas invite accidents.
- Do not operate power tools in explosive atmospheres, such as in the presence of flammable liquids, gases or dust.** Power tools create sparks which may ignite the dust or fumes.
- Keep children and bystanders away while operating a power tool.** Distractions can cause you to lose control.

2. Electrical safety

- Power tool plugs must match the outlet. Never modify the plug in any way. Do not use any adapter plugs with earthed (grounded) power tools.** Unmodified plugs and matching outlets will reduce risk of electric shock.

- Avoid body contact with earthed or grounded surfaces such as pipes, radiators, ranges and refrigerators.** There is an increased risk of electric shock if your body is earthed or grounded.
- Do not expose power tools to rain or wet conditions.** Water entering a power tool will increase the risk of electric shock.
- Do not abuse the cord. Never use the cord for carrying, pulling or unplugging the power tool. Keep cord away from heat, oil, sharp edges or moving parts.** Damaged or entangled cords increase the risk of electric shock.
- When operating a power tool outdoors, use an extension cord suitable for outdoor use.** Use of a cord suitable for outdoor use reduces the risk of electric shock.
- If operating a power tool in a damp location is unavoidable, use a residual current device (RCD) protected supply.** Use of an RCD reduces the risk of electric shock. Note: The term "Residual Current Device (RCD)" can be replaced by "Ground Fault Circuit Interrupter (GFCI)" or by "Earth Leakage Circuit Breaker (ELCB)".

3. Personal safety

- Stay alert, watch what you are doing and use common sense when operating a power tool. Do not use a power tool while you are tired or under the influence of drugs, alcohol or medication.** A moment of inattention while operating power tools may result in serious personal injury.
- Use personal protective equipment. Always wear eye protection.** Protective equipment such as dust mask, non-skid safety shoes, hard hat, or hearing protection used for appropriate conditions will reduce personal injuries.
- Prevent unintentional starting. Ensure the switch is in the off-position before connecting to power source and/or battery pack, picking up or carrying the tool.** Carrying power tools with your finger on the switch or energising power tools that have the switch on invites accidents.
- Remove any adjusting key or wrench before turning the power tool on.** A wrench or a key left attached to a rotating part of the power tool may result in personal injury.
- Do not overreach. Keep proper footing and balance at all times.** This enables better control of the power tool in unexpected situations.
- Dress properly. Do not wear loose clothing or jewellery. Keep your hair, clothing and gloves away from moving parts.** Loose clothes, jewellery or long hair can be caught in moving parts.

- g. If devices are provided for the connection of dust extraction and collection facilities, ensure these are connected and properly used. Use of dust collection can reduce dust-related hazards.
4. Power tool use and care
- a. Do not force the power tool. Use the correct power tool for your application. The correct power tool will do the job better and safer at the rate for which it was designed.
- b. Do not use the power tool if the switch does not turn it on and off. Any power tool that cannot be controlled with the switch is dangerous and must be repaired.
- c. Disconnect the plug from the power source and/or the battery pack from the power tool before making any adjustments, changing accessories, or storing power tools. Such preventive safety measures reduce the risk of starting the power tool accidentally.
- d. Store idle power tools out of the reach of children and do not allow persons unfamiliar with the power tool or these instructions to operate the power tool. Power tools are dangerous in the hands of untrained users.
- e. Maintain power tools. Check for misalignment or binding of moving parts, breakage of parts and any other condition that may affect the power tools operation. If damaged, have the power tool repaired before use. Many accidents are caused by poorly maintained power tools.
- f. Keep cutting tools sharp and clean. Properly maintained cutting tools with sharp cutting edges are less likely to bind and are easier to control.
5. Service
- a. Have your power tool serviced by a qualified repair person using only identical replacement parts. This will ensure that the safety of the power tool is maintained.
- Hold power tool by insulated gripping surfaces when performing an operation where the cutting accessory may contact hidden wiring or its own cord. Cutting accessory contacting a "live" wire may make exposed metal parts of the power tool "live" and could give the operator an electric shock.
- Use clamps or another practical way to secure and support the workpiece to a stable platform. Holding the work by hand or against your body leaves it unstable and may lead to loss of control.












Warning! Take special care when sanding some woods (e.g. beech, oak) and metal which may

produce toxic dust. Wear a dust mask specifically designed for protection against toxic dust and fumes and ensure that persons within or entering the work area are also protected.

6. Labels on tool

The label on your tool may include the following symbols:

| | | | | |
|---|--------------------------|---|---|---|
|  | Read Instructions Manual | Hz Hertz |  | Class II Construction |
|  | Use Eye Protection | W Watts |  | Earthing Terminal |
|  | Use Ear Protection | min minutes |  | Safety Alert Symbol |
| | |  |/min. | Revolutions or Reciprocation per minute |
| | |  | | |
| V Volts | |  | n_0 No-Load Speed | |
| A Amperes | | | | |

Position of date barcode

The Date Code, which also includes the year of manufacture, is printed into the housing.

Example:

2014 XX JN
Year of manufacturing

7. Electrical safety



Your tool is double insulated; therefore no earth wire is required. Always check that the main voltage corresponds to the voltage on the rating plate.



Warning! If the power cord is damaged, it must be replaced by the manufacturer, authorized STANLEY Service Center or an equally qualified person in order to avoid damage or injury. If the power cord is replaced by an equally qualified person, but not authorized by STANLEY, the warranty will not be valid.

Residual risks

Additional residual risks may arise when using the tool which may not be included in the enclosed safety warnings. These risks can arise from misuse, prolonged use etc.

Even with the application of the relevant safety regulations and the implementation of safety devices, certain residual risks cannot be avoided. These include:

- Injuries caused by touching any rotating/moving parts.
- Injuries caused when changing any parts, blades or accessories.
- Injuries caused by prolonged use of a tool. When using any tool for prolonged periods make sure you take regular breaks.
- Impairment of hearing.
- Health hazards caused by breathing dust developed when using your tool (example:- working with wood, especially oak, beech and MDF).

Specific Safety Rules

- **Avoid prolonged contact with dust from power sanding, sawing, grinding, drilling, and other construction activities. Wear protective clothing and wash exposed areas with soap and water.** Allowing dust to get into your mouth, eyes, or lay on the skin may promote absorption of harmful chemicals.



Warning! Use of this tool can generate and/or disburse dust, which may cause serious and permanent respiratory or other injury. Always

use NIOSH/OSHA approved respiratory protection appropriate for the dust exposure. Direct particles away from face and body.



Caution! Wear appropriate hearing protection during use. Under some conditions and duration of use, noise from this product may contribute to hearing loss.



Warning!

- Always wear eye and respiratory protection.
- Clean your tool out periodically.

Additional Safety Instructions For Sanders

Sanding

Lead Base Paint

Sanding of lead based paint is NOT RECOMMENDED due to the difficulty of controlling the contaminated dust. The greatest danger of lead poisoning is to children and pregnant women. Since it is difficult to identify whether or not a paint contains lead without a chemical analysis, we recommend the following precautions when sanding any paint:

Personal Safety

- No children or pregnant women should enter the work area where the paint sanding is being done until all clean up is completed.
- A dust mask or respirator should be worn by all persons entering the work area. The filter should be replaced daily or whenever the wearer has difficulty breathing.

Note: Only those dust masks suitable for working with lead paint dust and fumes should be used. Ordinary painting masks do not offer this protection. See your local hardware dealer for the proper (NIOSH approved) mask.

- **NO EATING, DRINKING or SMOKING** should be done in the work area to prevent ingesting contaminated paint particles. Workers should wash and clean up **BEFORE** eating, drinking or smoking. Articles of food, drink, or smoking should not be left in the work area where dust would settle on them.

Environmental Safety

- Paint should be removed in such a manner as to minimize the amount of dust generated.
- Areas where paint removal is occurring should be sealed with plastic sheeting of 4 mils thickness.
- Sanding should be done in a manner to reduce tracking of paint dust outside the work area.

Cleaning And Disposal

- All surfaces in the work area should be vacuumed and thoroughly cleaned daily for the duration of the sanding project. Vacuum filter bags should be changed frequently.
- Plastic drop cloths should be gathered up and disposed of along with any dust chips or other removal debris. They should be placed in sealed refuse receptacles and disposed of through regular trash pick-up procedures. During clean up, children and pregnant women should be kept away from the immediate work area.
- All toys, washable furniture and utensils used by children should be washed thoroughly before being used again.

Motor

Be sure your power supply agrees with nameplate marking. This information is printed on the nameplate. Lower voltage will cause loss of power and can result in over-heating. All STANLEY tools are factory-tested; if this tool does not operate, check the power supply.

Use Of Extension Cords

Make sure the extension cord is in good condition before using. Always use the proper size extension cords with the tool – that is, proper wire size for various lengths of cord and heavy enough to carry the current the tool will draw. Use of an undersized cord will cause a drop in line voltage resulting in loss of power and overheating.

Characteristics (Fig. A)

1. Lock on switch for continuous use
2. Dust extraction duck
3. Way adjustable handle
4. Aluminum cover
5. Belt tracking adjustment knob
6. Sanding belt
7. Single action belt release lever

Adjustments



Warning! To prevent accidental operation, turn off and unplug sander before performing the following operations. Failure to do this could result in serious personal injury.

3 Position handle (FIG. B1 and B2)

A locking mechanism on the side of the handle can be loosened to allow the handle to move. To adjust the handle, pull out on the locking arm (FIG. B1) and move the handle to the desired position (FIG. B2). Once the handle is in position, push the locking arm in to lock the handle into position.

2 Position belt cover (FIG. C and D)

The belt sander has an aluminum sanding belt cover at the front. When the handle is positioned in the uppermost position, this cover can be raised as shown in FIG. C (Arrow 1) and locked in this position to:

- Improve accessibility to narrow areas.
- Allow the use of the smaller diameter front roller to sand with (normally the aluminum cover prevents this when in the "down" position).
- Expose the top part of the belt for more versatile sanding (FIG. D).

To lower the belt cover, grasp the flange on the side and move it slightly in the direction shown in FIG. C (Arrow 2) and return it to its closed position.

Note: The sanding belt cover cannot be locked in its raised position unless the bail handle is in the uppermost position.



Warning! The sanding belt is exposed when the belt cover is raised. Use extra caution when operating in this mode.

Adjusting the sanding belt tracking (FIG. E)

Turn the machine upside down (FIG. E), hold it firmly with one hand, start motor and release switch immediately after observing tracking of sanding belt. If abrasive belt runs outward, turn tracking adjustment knob clockwise and counterclockwise if belt runs inward. Belt life will be greatly increased by keeping the tracking adjustment set properly (FIG. E).

Changing the sanding belt (FIG. F and G)

Warning! To prevent accidental operation, turn off and unplug sander before changing the sanding belt. Pull the lever shown in FIG. 5 to release the tension on the sanding belt. Pull the sanding belt from the two rollers. Put the new 3" x 21" (76 x 533mm) sanding belt in position on the front and rear rollers (FIG. 6). Ensure that the arrows on the sanding belt and on your belt sander are pointing in the same direction. Push the lever to the rear to tension the sanding belt.

Dust collection (FIG. H)



Warning! To prevent accidental operation, turn off and unplug sander before installing the dust bag.

When using your belt sander, dust and grit are produced. It is important to use a dust bag. Connect the dust bag by sliding the plastic opening of the bag down over the dust exhaust port of the sander as shown in FIG. 7. To empty the dust bag, remove it from the sander and unzip the bag over a trash container.



Warning! Fire hazard. Collected sanding dust from sanding surface coatings (polyurethane, linseed oil, etc.) can self-ignite in sander dust bag or elsewhere and cause fire. To reduce risk, empty bag frequently and strictly follow sander manual and coating manufacturer's instructions.



Warning! Fire hazard. When working on metal surfaces, do not use the dust bag or a vacuum cleaner because sparks are generated. Wear safety glasses and a dust mask. Due to the danger of fire, do not use your belt sander to sand magnesium surfaces. Do not use for wet sanding.

Operation

Using your belt sander (FIG. I)

Always hold belt sander firmly with both hands while sanding as shown in FIG. I.

Note: that sander bail handle can be adjusted to three different positions as previously discussed.

Switch (FIG. J and K)

To start your belt sander, depress the on/off switch as shown in FIG. J. To stop your belt sander release the on/ off switch.

For continuous operation, depress the on/off switch then depress the lock-on button (FIG. K) and release the on/off switch. To stop your belt sander, depress the on/off switch to release the lock-on button. Release the on/off switch.

Handy Hints

- Always start your belt sander before it is in contact with the workpiece and do not switch it off until after it has been lifted from the workpiece.
- Always hold your belt sander with two hands.
- Where possible, clamp the workpiece to a work bench or similar sturdy surface.


- Use the correct grit sanding belt for your application. The following is a suggested list of belt grits to use with different materials.

| Material | Belt Grit |
|---------------|----------------------|
| Solid Wood | 80 |
| Veneer | 150 |
| Chipboard | 60/80 |
| Plastics | 100 |
| Steel | 80 (remove dust bag) |
| Paint Removal | 40/60 |
| Balsa Wood | 100 |
| Acrylic | 100 |


Tool Care And Maintenance

Your tool has been designed to operate over a long period of time with a minimum of maintenance. Continuous satisfactory operation depends upon proper tool care and regular cleaning.

Never apply excessive force when you use your belt sander. Too much force can result in an overload and cause damage to the motor or the workpiece. If your belt sander becomes too hot, operate it without load for 2 minutes. Always keep the air cooling vents clear. To clean your belt sander, proceed as follows:

 **Warning!** To prevent accidental operation, turn off and unplug sander before performing the following operations. Failure to do this could result in serious personal injury.

- Use a clean dry paint brush to clear vents and ducts.
- Clean the housings using a clean damp cloth (do not use solvents, gas or turpentine.)

 **Important!** To assure product SAFETY and RELIABILITY, repairs, maintenance and adjustment should be performed by authorized service centers or other qualified service personnel, always using identical replacement parts.

Accessories


The performance of your tool depends on the accessory used. STANLEY accessories are engineered to high quality standards and designed to enhance the performance of your tool. By using these accessories you will get the very best from your tool.

Use only 3" x 21" (76 x 533mm) sanding belts. Recommended accessories for use with your tool are available at extra cost from your local dealer or authorized service center.


Service Information

STANLEY offers a full network of company-owned and authorized service locations. All STANLEY Service Centers are staffed with trained personnel to provide customers with efficient and reliable power tool service. For more information about our authorized service centers and if you need technical advice, repair, or genuine factory replacement parts, contact the STANLEY location nearest you.

Protecting the environment

 Separate collection. This product must not be disposed of with normal household waste.

Should you find one day that your STANLEY product needs replacement, or if it is of no further use to you, do not dispose of it with household waste. Make this product available for separate collection.

 Separate collection of used products and packaging allows materials to be recycled and used again. Re-use of recycled materials helps prevent environmental pollution and reduces the demand for raw materials.

Local regulations may provide for separate collection of electrical products from the household, at municipal waste sites or by the retailer when you purchase a new product. STANLEY provides a facility for the collection and recycling of STANLEY products once they have reached the end of their working life. To take advantage of this service please return your product to any authorised repair agent who will collect them on our behalf.

You can check the location of your nearest authorised repair agent by contacting your local STANLEY office at the address indicated in this manual. Alternatively, a list of authorised STANLEY repair agents and full details of our after-sales service and contacts are available on the Internet at: www.2helpU.com

Two years full warranty

If your STANLEY product becomes defective due to faulty materials or workmanship within 24 months from the date of purchase, STANLEY Europe guarantees to replace all defective parts free of charge or – at our discretion – replace the unit free of charge provided that:

- The product has not been misused and has been used in accordance with the instruction manual.
- The product has been subject to fair wear and tear;
- Repairs have not been attempted by unauthorised persons;
- Proof of purchase is produced.
- The STANLEY product is returned complete with all original components

If you wish to make a claim, contact your seller or check the location of your nearest authorised STANLEY repair agent in the STANLEY catalogue or contact your local STANLEY office at the address indicated in this manual. A list of authorised STANLEY repair agents and full details of our after sales service is available on the internet at: www.stanleytools.com

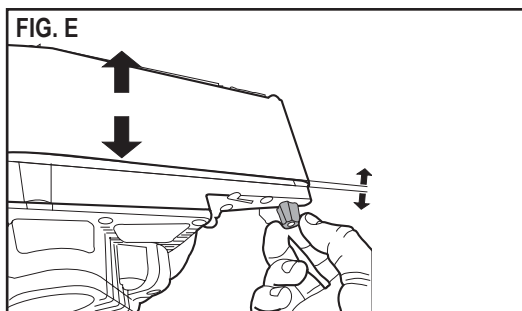
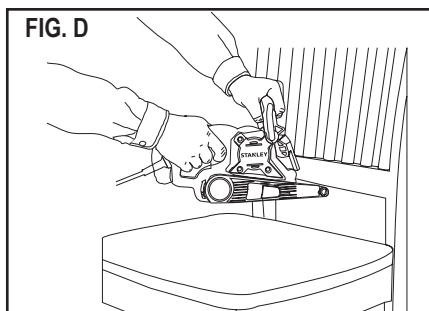
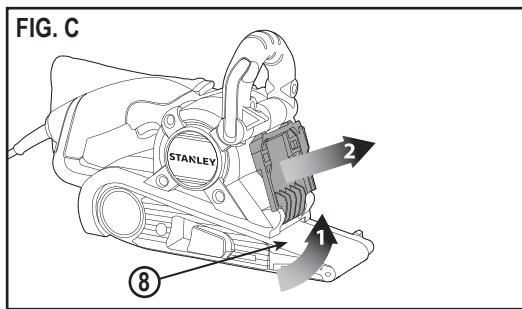
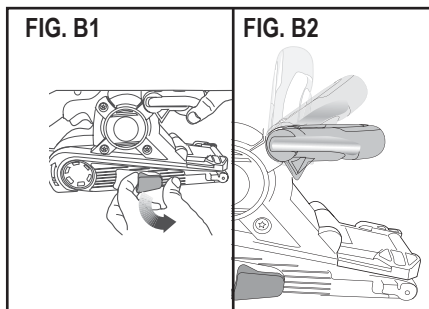
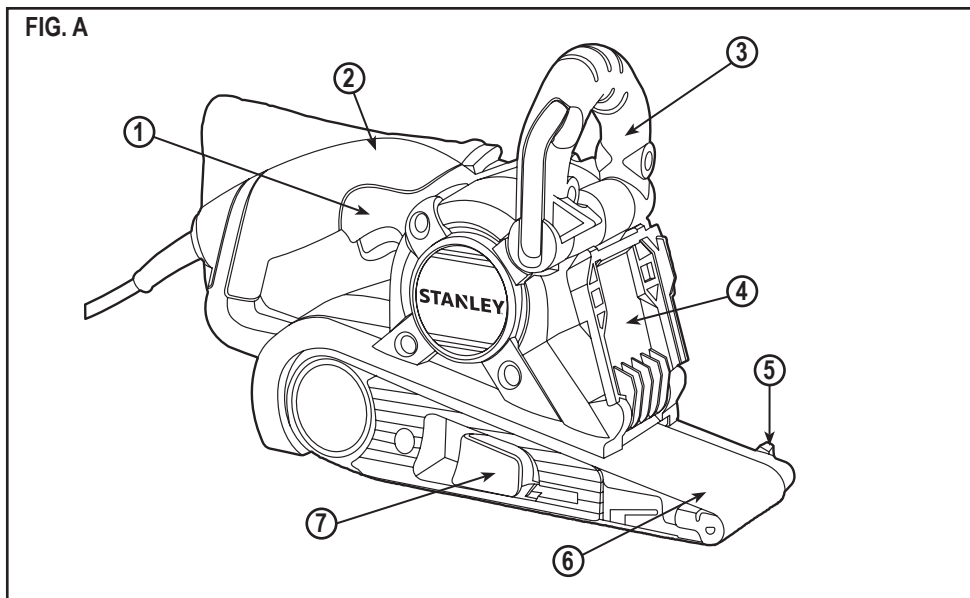


FIG. F

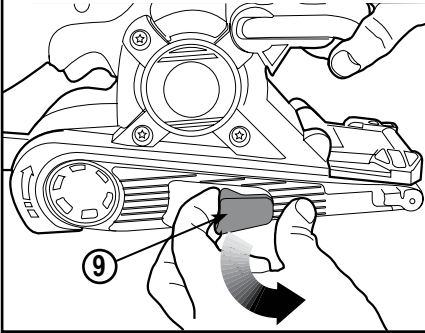


FIG. G

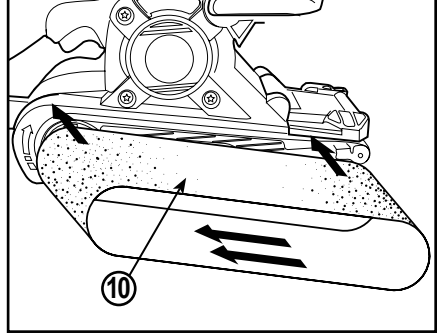


FIG. H

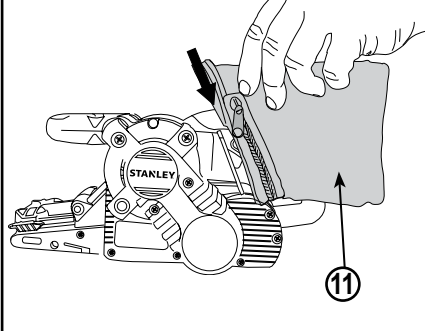


FIG. I

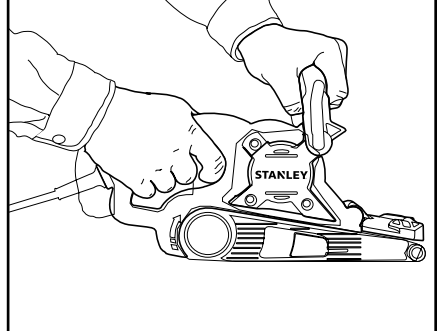


FIG. J

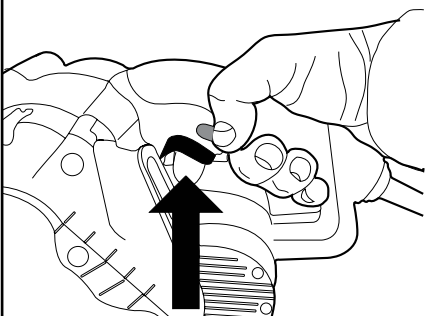
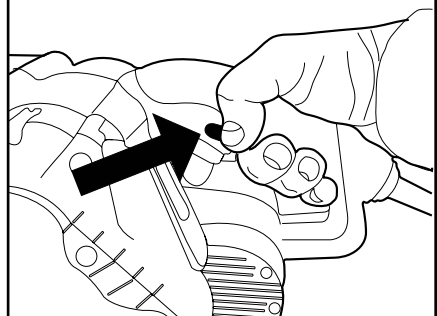


FIG. K



Спецификации

| | STBS720 |
|-----------------------|----------|
| Мощность | 720W |
| Напряжение | 220-240V |
| Частота | 50/60Hz |
| Скорость без нагрузки | 800/мин. |

НЕ ВОЗВРАЩАЙТЕ ЭТО ИЗДЕЛИЕ В МАГАЗИН, сначала обратитесь в местный офис STANLEY или в ближайший авторизованный сервисный центр.

Общие правила безопасности



Предостережение! Ознакомьтесь со всеми инструкциями. Несоблюдение инструкций, указанных ниже, может привести к поражению электрическим током, пожару и/или серьезной травме.

СОХРАНИТЕ ЭТИ ИНСТРУКЦИИ

Правила техники безопасности

Общие предупреждения по технике безопасности электроинструментов



Внимание! Ознакомьтесь со всеми правилами безопасности и инструкциями. Несоблюдение предупреждений и инструкций, указанных ниже, может привести к поражению электрическим током, пожару и/или серьезной травме.

Сохраните все предупреждения и инструкции для будущего использования.

Термин "электроинструмент" во всех предупреждениях, указанных ниже, относится к вашему сетевому (с кабелем) электроинструменту или аккумуляторному электроинструменту (без кабеля питания).


1. Безопасность рабочего места

- Содержите рабочее место в чистоте и хорошо освещенным.** Беспорядок на рабочем месте или отсутствие освещения рабочего места может привести к аварии.
- Не работайте с электроинструментом в месте хранения взрывоопасных материалов, например, в присутствии огнеопасных жидкостей, газов или пыли.** Электрические инструменты создают искры, которые могут воспламенить пыль или пары.
- Дети и посторонние лица должны находиться как можно дальше во время работы с**

электроинструментом. Вы можете отвлечься и потерять контроль.

2. Электробезопасность

- Вилка электроинструмента должна соответствовать розетке. Никогда не модифицируйте вилку каким-либо образом. Не используйте никакие вилки-переходники с заземленными (замкнутыми на землю) электроинструментами.** Вилки и розетки, которые не подвергались никаким изменениям снижают риск поражения электрическим током.
 - Избегайте контакта тела с заземленными поверхностями, такими как трубы, радиаторы, плиты и холодильники.** Существует повышенный риск поражения электрическим током, если ваше тело заземлено.
 - Избегайте любого воздействия дождя или влаги на электроинструменты.** Вода, попавшая в электроинструмент, увеличивает риск поражения электрическим током.
 - Аккуратно обращайтесь со шнуром питания. Никогда не используйте шнур питания для переноски, перемещения или извлечения вилки из розетки. Держите шнур вдали от источников тепла, масла, острых краев или движущихся частей.** Поврежденные или запутанные шнуры увеличивают риск поражения электрическим током.
 - При работе с электроинструментом на улице, используйте удлинитель, подходящий для наружного использования.** Использование кабеля, пригодного для использования на открытом воздухе, снижает риск поражения электрическим током.
 - При необходимости работы с электроинструментом во влажной среде, используйте устройство защитного отключения (УЗО).** Использование УЗО снижает риск поражения электрическим током. Примечание: определение "Устройство защитного отключения (RCD)" может быть заменено на "Прерыватель схемы замыкания на землю (GFCI)" или "Автоматический выключатель утечки на землю (ELCB)".
- #### 3. Личная безопасность
- Будьте внимательны, смотрите, что вы делаете, используйте здравый смысл при работе с электроинструментом. Не используйте электроинструмент, если вы устали или находитесь под влиянием наркотиков, алкоголя или лекарств.** Малейшая неосторожность при работе с электроинструментом может привести к серьезным травмам.

- b. Используйте средства индивидуальной защиты. Всегда надевайте защитные очки. Другое защитное оборудование, включая респиратор, ботинки на нескользящей подошве, защитный шлем или средства защиты органов слуха, используемые в надлежащих условиях, уменьшат риск получения травмы.**
- c. Для предотвращения случайного запуска, убедитесь, что переключатель находится в выключенном положении перед подключением к источнику питания и/или аккумуляторной батарее, поднятия или переноски инструмента.** Не переносите электроинструмент с пальцем на выключателе и не включайте питание на инструмент с включенным выключателем, что может привести к несчастному случаю.
- d. Перед включением электроинструмента снимайте регулировочный или гаечный ключ.** Гаечный или регулировочный ключ, оставленный на вращающейся части электроинструмента, может привести к травме.
- e. Не тянитесь. Сохраняйте правильную стойку и баланс все время.** Это позволяет лучше контролировать инструмент в неожиданных ситуациях.
- f. Одевайтесь правильно. Не надевайте свободную одежду или украшения. Держите волосы, одежду и перчатки вдали от движущихся частей.** Свободная одежда, украшения или длинные волосы могут попасть в движущиеся части.
- g. Если имеются устройства для подключения пылесборника или вытяжки, убедитесь в том, что они подсоединены и используются правильно.** Использование пылесборника снижает вероятность возникновения рисков, связанных с пылью.
- 4. Использование и уход за электроинструментом**
- a. Не перегружайте электроинструмент. Используйте подходящий электрический инструмент для соответствующего применения.** Правильно подобранный электроинструмент позволит выполнить работу лучше и безопаснее при скорости, для которой он был разработан.
- b. Не используйте электроинструмент, если переключатель не может его включить и выключить.** Любой электроинструмент, который нельзя контролировать с помощью переключателя, опасен и должен быть отремонтирован.
- c. Отключите кабель питания от источника питания и/или аккумуляторный блок от электрического инструмента перед выполнением любых регулировок, замены принадлежностей или при хранении электроинструмента.** Такие профилактические меры безопасности уменьшают риск непреднамеренного запуска электрического инструмента.
- d. Храните неиспользуемые электроинструменты в недоступном для детей месте и не позволяйте лицам, не знакомым с электроинструментом или данными инструкциями, работать с электроинструментом.** Электроинструменты опасны в руках неопытных пользователей.
- e. Поддерживайте электроинструмента. Проверяйте разрегулированность или соединение подвижных частей, поломки частей и любые другие условия, которые могут повлиять на работу электроинструмента. При наличии повреждения, отремонтируйте электроинструмент перед использованием.** Многие несчастные случаи являются следствием плохого ухода за электроинструментом.
- f. Держите режущий инструмент острым и чистым.** Хорошо ухоженный режущий инструмент с острыми режущими кромками легче контролировать.
- 5. Обслуживание**
- a. Обеспечьте, чтобы обслуживание и ремонт вашего электроинструмента проводился в авторизованном сервисном центре по ремонту с использованием только оригинальных запасных частей.** Это станет гарантией безопасности электроинструмента.
- Держите инструмент за изолированные поверхности во время работы, при которой режущий инструмент может задеть скрытую проводку или собственный кабель. При контакте режущего аксессуара с «работающим» проводом или открытыми металлическими частями электроинструмента оператора может ударить электрическим током.
 - Используйте тиски или другое подходящее приспособление для обеспечения и поддержания обрабатываемого изделия на устойчивой платформе. Проведение работы по направлению руки или против вашего тела, лишает устойчивости и может привести к потере контроля.
-  **Внимание!** Соблюдайте особую осторожность при шлифовании некоторых сортов дерева (например, бук, дуб) и металла, поскольку в процессе работы может образовываться токсичная пыль. Надевайте респиратор, специально разработанный для защиты от токсичной пыли и паров, и следите, чтобы лица, находящиеся в рабочей зоне, также были защищены.

6. Этикетки на инструменте

Этикетка на вашем инструменте может включать следующие символы:



Читайте инструкции по эксплуатации



Используйте средства защиты глаз



Используйте средства защиты органов слуха

Гц Герц

Вт Ватт

мин..... минуты

Переменный ток

----- Постоянный ток

V Вольт

A Ампер

n₀ Скорость без нагрузки



..... Конструкция класса II



..... Терминал заземления



Символ предупреждения об опасности



..... обороты или возвратно-поступательное движение в минуту

Положение даты штрих-кода

Дата кода, который также включает год изготовления, печатается на корпусе.

Пример:

2014 XX JN
Год изготовления

7. Электрическая безопасность



Этот инструмент защищен двойной изоляцией, поэтому заземляющий провод не требуется. Всегда проверяйте, чтобы напряжение сети соответствовало напряжению, указанному на заводской табличке.



Предостережение! Если шнур питания поврежден, он должен быть заменен производителем или уполномоченным

сервисным центром STANLEY для того, чтобы избежать опасности.

Остаточные риски

Дополнительные остаточные риски могут возникнуть при использовании инструмента, которые не включены в описанные здесь правила техники безопасности. Эти риски могут возникнуть при неправильном или продолжительном использовании изделия и т.п.

Несмотря на соблюдение соответствующих правил техники безопасности и использование предохранительных устройств, некоторых остаточных рисков невозможно избежать. Они включают в себя:

- Травмы в результате касания вращающихся/движущихся частей.
- Риск получения травмы во время смены деталей инструмента, ножей или насадок
- Травмы, вызванные продолжительным

использованием инструмента. При использовании инструмента в течение продолжительного периода времени делайте регулярные перерывы в работе.

- Плохой слух.
- Ущерб здоровью в результате вдыхания пыли при использовании инструмента (например: работа с деревом, в особенности, древесиной дуба, бука и древесноволокнистой плитой средней плотности).

Особые правила по технике безопасности

- **Избегайте длительного контакта с пылью от источника шлифования, пиления, сверления и других строительных работ. Надевайте защитную одежду и вымывайте открытые участки тела водой с мылом.** Попадание пыли в рот, глаза или на кожу может стать причиной отравления вредными химическими веществами.



Предостережение! При использовании этого инструмента может образовываться и/или распространяться пыль, которая может привести к серьезной и постоянной травме дыхательных путей или другим травмам. Всегда используйте соответствующие средства защиты органов дыхания от воздействия пыли, одобренные NIOSH/OSHA. Защитите лицо и тело от прямого попадания частиц.



Внимание! Надевайте соответствующие средства защиты органов слуха во время работы. При некоторых условиях и продолжительности использования, шум от этого продукта может способствовать потере слуха.



Внимание!

- Всегда надевайте средства защиты глаз и органов дыхания.
- Периодически очищайте инструмент.

Дополнительные меры безопасности для шлифовального станка

Шлифовка

Краски на основе свинца

Шлифование поверхностей, покрытых краской на основе свинца не рекомендуется из-за сложности контроля за пылью. Дети и беременные женщины подвержены наибольшей опасности отравления свинцом. Так как сложно определить без химического анализа содержит ли краска свинец или нет, мы рекомендуем при шлифовании покрашенных поверхностей принимать следующие меры предосторожности:

Личная безопасность

- Дети и беременные женщины не должны входить в рабочую зону, где производится шлифовка окрашенных поверхностей, до тех пор, пока в них не произведена полная уборка.
- Все сотрудники, входящие в рабочую зону, должны носить маску или респиратор. Фильтр необходимо заменять ежедневно или всякий раз, когда вы чувствуете затруднение дыхания.

Примечание: Необходимо использовать только те респираторы, которые подходят для защиты от пыли от свинцовых красок. Обычные маски не обеспечивают необходимую защиту. Обратитесь к местному дилеру для покупки соответствующей маски, утвержденной NIOSH.

- **ЗАПРЕЩЕНО ПРИНИМАТЬ ПИЩУ, ПИТЬ и КУРИТЬ** в рабочей зоне, чтобы предотвратить заглатывание частиц краски. Рабочие должны вымыться перед едой, питьем или курением. Продукты питания, напитки и сигареты не следует оставлять в рабочей зоне, поскольку на них может оседать пыль.

Экологическая безопасность

- Краска должна быть удалена таким образом, чтобы свести к минимуму количество образующейся пыли.
- Места, в которых производится удаление краски, должны быть изолированы/закрыты пластиковой пленкой толщиной 4 мм.
- Шлифование должно производиться таким образом, чтобы уменьшить распространение пыли от краски за пределами рабочей зоны.¶

Очистка и обезвреживание

- Все поверхности в рабочей зоне должны ежедневно очищаться при помощи пылесоса и тщательно убираться в течение всего времени осуществления работ, связанных со шлифованием. Мешки для мусора для пылесоса должны меняться как можно чаще.
- Пластиковые пакеты со спецодеждой должны собираться и утилизироваться вместе со всеми остатками пыли или другим мусором. Их необходимо помещать в герметично закрытые контейнеры и утилизировать в процессе регулярного вывоза мусора. Во время уборки дети и беременные женщины должны находиться в стороне от рабочей зоны.
- Все игрушки, моющаяся мебель и посуда, используемые детьми, должны быть тщательно вымыты перед повторным использованием.

Двигатель

Убедитесь, что параметры электропитания совпадают с маркировкой на заводской табличке. Эта информация

печатается на табличке. Более низкое напряжение может привести к потере питания или перегреву. Все инструменты STANLEY прошли тестирование на заводе-изготовителе, если этот инструмент не работает, проверьте источник питания.

Использование удлинителей

Убедитесь, что удлинитель находится в хорошем состоянии перед использованием. Всегда используйте соответствующие удлинители с данным инструментом - то есть, удлинители с правильным размером провода для кабеля различной длины и достаточно тяжелые, чтобы подавать инструменту нужное питание. Использование провода меньшей длины может вызвать падение сетевого напряжения и приведет к потере мощности и перегреву.

Характеристики (рис. А)

1. Замок на переключатель для непрерывного использования
2. Утка для удаления пыли
3. Регулируемая ручка
4. Алюминиевая крышка
5. Ручка регулировки ленты конвейера
6. Шлифовальная лента
7. Рычаг фиксатора ленты одинарного действия

Регулировка

Внимание! Для предотвращения случайного нажатия, выключите и отсоедините шлифовальный станок от сети перед выполнением следующих операций. Несоблюдение этого требования может привести к серьезным травмам.

Рукоятка с 3 положениями (рис. В1 и В2)

Запирающий механизм на стороне ручки может быть ослаблен, чтобы ручка могла перемещаться. Чтобы отрегулировать ручку, надавите на фиксатор (рис. В1) и переместите ручку в нужное положение (рис. В2). После того, как ручка встала в нужное положение, нажмите на фиксирующий рычаг и зафиксируйте ручку в нужное положение.

Кожух ремня с 2 положениями (рис. С и D)

Шлифовальный станок имеет алюминиевую крышку шлифовальной ленты спереди. Когда ручка расположена в самом верхнем положении, это крышка может быть поднята, как показано на рис. С (стрелка 1) и блокируется в этом положении:

- a. Улучшает доступность к узким зонам.
- b. Позволяет использование переднего ролика меньшего диаметра для шлифовки (обычно алюминиевая крышка предотвращает это, когда в положении «вниз»).
- c. Откройте верхнюю часть ремня для более разносторонней шлифовки (рис. D).

Чтобы опустить крышку ремня, необходимо понять фланец на стороне и переместить его немного в направлении, показанном на рис. C (стрелка 2) и закрыть его.

Примечание: кожух шлифовальной ленты не может быть заблокирован в поднятом положении, если только ручка не находится в поднятом положении.



Внимание! Шлифовальная лента открывається, когда поднимается кожух. Будьте особенно осторожны при работе в этом режиме.

Регулировка движения шлифовальной ленты (рис. E)

Переверните машину снизу вверх (рис. E), крепко держите ее одной рукой, заведите мотор и отпустите переключатель после того, как вы проверили направление движения шлифовальной ленты. Если абразивная лента движется наружу, поверните ручку регулировки движения по часовой стрелке и против часовой стрелки, если лента движется внутрь. Срок службы ленты будет значительно увеличен, если направление движения установлено правильно (рис. E).

Смена шлифовальной ленты (рис. F и G)

Предостережение! Для предотвращения случайного нажатия, выключите и отсоедините шлифовальный станок перед сменой шлифовальной ленты. Потяните рычаг, показанный на рис. 5, чтобы ослабить натяжение на шлифовальную ленту. Снимите шлифовальную ленту с двух роликов. Поставьте новую шлифовальную ленту 3" x 21" (76 x 533 мм) в нужное положение на передних и задних роликах (рис. 6). Убедитесь, что стрелки на шлифовальной ленте и ремне шлифовального станка указывают в одном и том же направлении. Нажмите на рычаг сзади, чтобы затянуть шлифовальную ленту.

Пылесборник (фиг. H)



Предостережение! Для предотвращения случайного нажатия, выключите и отсоедините шлифовальный станок перед установкой мешка для сбора пыли.

При использовании шлифовального станка, образуется пыль и песок. Необходимо использовать пылесборник. Для подсоединения пылесборника, сдвиньте пластиковое отверстие мешка вниз к выпускному

отверстию для пыли шлифовального станка как показано на рис. 7. Чтобы очистить пылесборник, снимите его со шлифовального станка и растегните мешок над мусорным контейнером.



Предостережение! Опасность пожара. Собранная пыль от шлифования поверхностей, покрытых полиуретаном, льняным маслом и т.д. может загореться в мешке для сбора шлифовальной пыли или в другом месте и вызвать пожар. Чтобы уменьшить риск, как можно чаще освобождайте мешок и строго следуйте руководству к шлифовальному станку и инструкциям производителя покрытия.



Предостережение! Опасность пожара. При работе с металлическими поверхностями, не используйте мешок для пыли или пылесос, потому что могут образовываться искры. Надевайте защитные очки и респиратор. Из-за опасности пожара, не используйте шлифовальный станок для поверхностей с напылением магния. Не используйте станок для влажного шлифования.

Процесс работы

Использование шлифовального станка (рис. I)

Всегда держите шлифовальный станок обеими руками во время шлифования, как показано на рис. I.

Примечание: ручка шлифовального станка может быть установлена в трех различных положениях, как описано выше.

Переключатель (рис. J и K)

Чтобы включить шлифовальный станок, нажмите на переключатель вкл./выкл., как показано на рис. J. Чтобы остановить ваш шлифовальный станок, отпустите переключатель вкл./выкл..

Для непрерывной работы, нажмите переключатель вкл./выкл., удерживайте кнопку блокировки (рис. K) и отпустите переключатель вкл./выкл. Чтобы остановить свой шлифовальный станок, нажмите переключатель вкл./выкл., чтобы освободить кнопку блокировки, нажмите на переключатель вкл./выкл. Отпустите переключатель вкл./выкл.

Полезные советы

- Всегда включайте свой шлифовальный станок, до того, как он войдет в контакт с заготовкой и не выключайте его, пока не снимите его с заготовки.
- Всегда держите шлифовальный станок двумя руками.
- Если возможно, зафиксируйте заготовку на верстаке или аналогичной прочной поверхности.

- Используйте правильную зернистость шлифовальной ленты. Ниже предлагается список зернистости шлифовальной ленты для использования с различными материалами.

| Материал | Зернистость ленты |
|-------------------|--------------------------|
| Твердая древесина | 80 |
| Шпон | 150 |
| ДСП | 60/80 |
| Пластмассы | 100 |
| Сталь | 80 (снимите пылесборник) |
| Снятие краски | 40/60 |
| Пробковое дерево | 100 |
| Акрил | 100 |

Уход за инструментом и техническое обслуживание

Ваш инструмент рассчитан на работу в течение длительного периода времени при минимальном техническом обслуживании. Срок службы и надежность зависят от правильного ухода и регулярной чистки.

Никогда не применяйте чрезмерную силу при использовании шлифовального станка. Применение чрезмерной силы может привести к перегрузке и вызвать повреждение двигателя или заготовки. Если ваш ленточный шлифовальный станок становится слишком горячим, дайте ему поработать без нагрузки в течение 2 минут. Вентиляционные охлаждающие отверстия всегда должны быть чистыми. Для очистки шлифовального станка, выполните следующие действия:



Предостережение! Для предотвращения случайного нажатия, выключите и отсоедините шлифовальный станок от питания перед выполнением работы. Несоблюдение этого требования может привести к серьезным травмам.

- Используйте чистую сухую кисть, чтобы очистить вентиляционные отверстия и каналы.
- Для чистки корпуса, используйте чистую влажную ткань (не используйте растворители, газ или скипидар).



Важно! Для обеспечения БЕЗОПАСНОСТИ и ДОЛГОВЕЧНОСТИ изделия, ремонт, уход и

регулировка должна производиться в авторизованных сервисных центрах или квалифицированным персоналом с использованием только оригинальных запасных частей.

Аксессуары

Производительность электроинструмента зависит от используемых аксессуаров. Аксессуары STANLEY разработаны в соответствии с высокими стандартами качества, чтобы повысить производительность электроинструмента.

Используйте только шлифовальные ленты 3"x21" (76x533 мм). Рекомендуемые аксессуары для использования с вашим инструментом доступны за дополнительную плату у вашего местного дилера или в авторизованном сервисном центре.

Информационная служба

STANLEY предлагает обширную сеть авторизованных сервисных центров, принадлежащих компании. Все сервисные центры STANLEY укомплектованы персоналом, прошедшим обучение, чтобы предоставить клиентам эффективный и надежный сервис. Для получения более подробной информации о наших авторизованных сервисных центрах, и если вам необходим технический совет, ремонт или оригинальные запасные части, обратитесь в ближайший к вам центр STANLEY.

Защита окружающей среды



Раздельный сбор и утилизация. Этот продукт не следует утилизировать вместе с бытовым мусором.

Если вы поймете, что ваш продукт Stanley нуждается в замене, или если он не имеет никакого дальнейшего применения для вас, не выбрасывайте его вместе с бытовыми отходами. Предоставьте этот продукт для раздельного сбора/утилизации.



Раздельный сбор продуктов и упаковок позволяет осуществить их переработку и использовать их повторно. Повторное использование переработанных материалов помогает защищать окружающую среду от загрязнения и снижает расход сырьевых материалов.

Местное законодательство может обеспечить сбор старых электроинструментов отдельно от бытового мусора на муниципальных свалках отходов или в торговом предприятии при покупке нового изделия. Stanley обеспечивает возможность для сбора и утилизации продуктов Stanley, как только они достигли конца своего срока службы. Для того чтобы воспользоваться этой услугой, вы можете сдать ваше изделие в любой авторизованный сервисный центр, который собирает их по нашему поручению.

Вы можете узнать место нахождения вашего ближайшего авторизованного сервисного центра, обратившись в местное отделение Stanley по адресу, указанному в данном руководстве. Кроме того, список авторизованных ремонтных агентов Stanley и полную информацию о нашем послепродажном обслуживании и контактах вы можете найти в Интернете: www.2helpU.com10

Полная гарантия сроком на два года

Если ваш продукт STANLEY выходит из строя из-за дефектных материалов или изготовления в течение 24 месяцев с даты покупки, STANLEY Europe гарантирует замену всех неисправных деталей бесплатно или - по своему усмотрению - замену продукта бесплатно при условии, что:

- Продукт использовался правильно, его эксплуатация проводилась строго в соответствии с инструкцией по эксплуатации.
- Продукт подвергался естественному износу;
- Ремонт не проводился посторонними лицами;
- Представлены документы, подтверждающие покупку.
- Продукт STANLEY возвращается в полном комплекте со всеми оригинальными компонентами

Если вы хотите сделать заявку, свяжитесь с продавцом или узнайте место нахождения вашего ближайшего авторизованного сервисного агента Stanley в каталоге Stanley или обратитесь в местное представительство Stanley по адресу, указанному в данном руководстве. Список авторизованных сервисных агентов Stanley и полную информацию о нашем послепродажном обслуживании можно найти в Интернете по адресу: www.stanleytools.com

STANLEY

Гарантийные условия

Уважаемый покупатель!

1. Поздравляем Вас с покупкой высококачественного изделия STANLEY и выражаем признательность за Ваш выбор.

2. При покупке изделия требуйте проверки его комплектности и исправности в Вашем присутствии, инструкцию по эксплуатации и заполненный гарантийный талон на русском языке.

В гарантийном талоне должны быть внесены: модель, дата продажи, серийный номер, дата производства инструмента; название, печать и подпись торговой организации. При отсутствии у Вас правильно заполненного гарантийного талона, а также несоответствия указанных в нем данных мы будем вынуждены отклонить Ваши претензии по качеству данного изделия.

3. Во избежание недоразумений убедительно просим Вас перед началом работы с изделием внимательно ознакомиться с инструкцией по его эксплуатации. Правовой основой настоящих гарантийных условий является действующее Законодательство. Гарантийный срок на данное изделие составляет 24 месяца и исчисляется со дня продажи. В случае устранения недостатков изделия, гарантийный срок продлевается на период его нахождения в ремонте. Срок службы изделия составляет 5 лет со дня продажи.

4. В случае возникновения каких-либо проблем в процессе эксплуатации изделия рекомендуем Вам обращаться только в уполномоченные сервисные центры STANLEY, адреса и телефоны которых Вы сможете найти в гарантийном талоне, на сайте www.2helpU.com или узнать в магазине. Наши сервисные станции - это не только квалифицированный ремонт, но и широкий ассортимент запчастей и принадлежностей.

5. Производитель рекомендует проводить периодическую проверку и техническое обслуживание изделия в уполномоченных сервисных центрах.

6. Наши гарантийные обязательства распространяются только на неисправности, выявленные в течение гарантийного срока и вызванные дефектами производства и/или материалов.
7. **Гарантийные условия не распространяются на неисправности изделия, возникшие в результате:**
 - 7.1. Несоблюдения пользователем предписаний инструкции по эксплуатации изделия, применения изделия не по назначению, неправильном хранении, использования принадлежностей, расходных материалов и запчастей, не предусмотренных производителем.
 - 7.2. Механического повреждения (сколы, трещины и разрушения) внутренних и внешних деталей изделия, основных и вспомогательных рукояток, сетевого электрического кабеля, вызванного внешним ударным или любым иным воздействием
 - 7.3. Попадания в вентиляционные отверстия и проникновение внутрь изделия посторонних предметов, материалов или веществ, не являющихся отходами, сопровождающими применение изделия по назначению, такими как: стружка, опилки, песок, и пр.
 - 7.4. Воздействия на изделие неблагоприятных атмосферных и иных внешних факторов, таких как дождь, снег, повышенная влажность, нагрев, агрессивные среды, несоответствие параметров питающей электросети, указанных на инструменте.
 - 7.5. Стихийного бедствия. Повреждение или утрата изделия, связанное с непредвиденными бедствиями, стихийными явлениями, в том числе вследствие действия непреодолимой силы (пожар, молния, потоп и другие природные явления), а так же вследствие перепадов напряжения в электросети и другими причинами, которые находятся вне контроля производителя.
8. **Гарантийные условия не распространяются:**
 - 8.1. На инструменты, подвергавшиеся вскрытию, ремонту или модификации вне уполномоченного сервисного центра.
 - 8.2. На детали и узлы, имеющие следы естественного износа, такие как: приводные ремни и колеса, угольные щетки, смазка, подшипники, зубчатое зацепление редукторов, резиновые уплотнения, сальники, направляющие ролики, муфты, выключатели, бойки, толкатели, стволы, и т.п.
 - 8.3. На сменные части: патроны, цанги, зажимные гайки и фланцы, фильтры, аккумуляторные батареи, ножи, шлифовальные подошвы, цепи, звездочки, пильные шины, защитные кожухи, пилки, абразивы, пильные и абразивные диски, фрезы, сверла, буры и т.п.
 - 8.4. На неисправности, возникшие в результате перегрузки инструмента (как механической, так и электрической), повлекшей выход из строя одновременно двух и более деталей и узлов, таких как: ротора и статора, обеих обмоток статора, ведомой и ведущей шестерни редуктора или других узлов и деталей. К безусловным признакам перегрузки изделия относятся, помимо прочих: появление цветов побежалости, деформация или оплавление деталей и узлов изделия, потемнение или обугливание изоляции проводов электродвигателя под воздействием высокой температуры.



Изготовитель

Блэк энд Деккер Холдингс ГмбХ
Германия, 65510, Идштайн,
ул. Блэк энд Деккер, 40

FIG. A

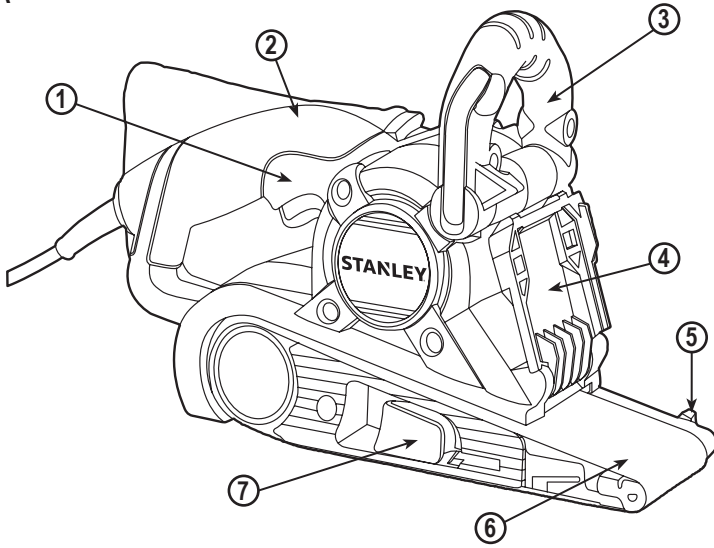


FIG. B1

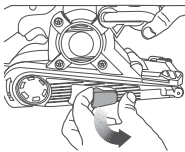


FIG. B2

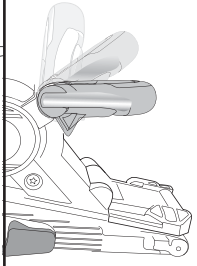


FIG. C

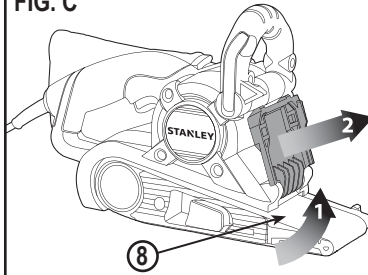


FIG. D

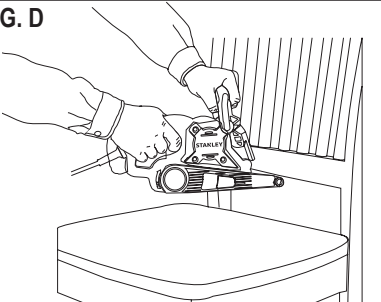
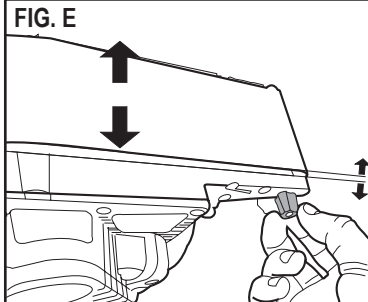
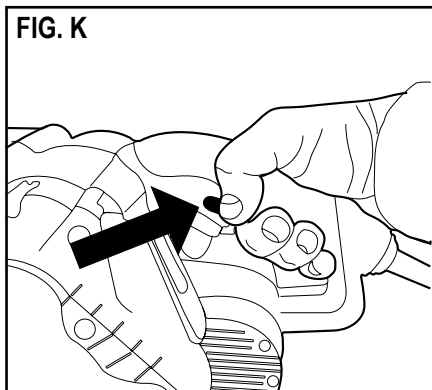
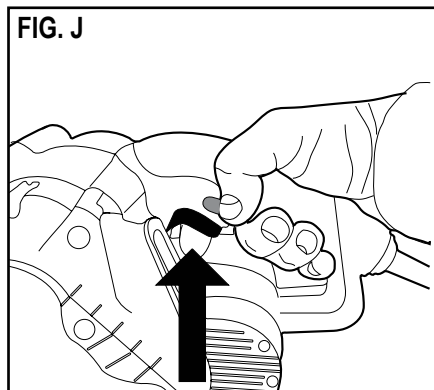
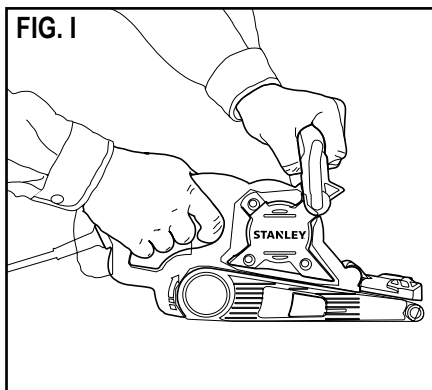
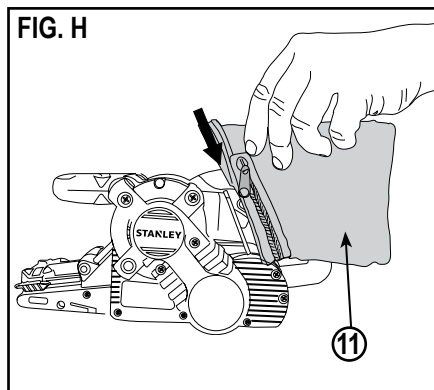
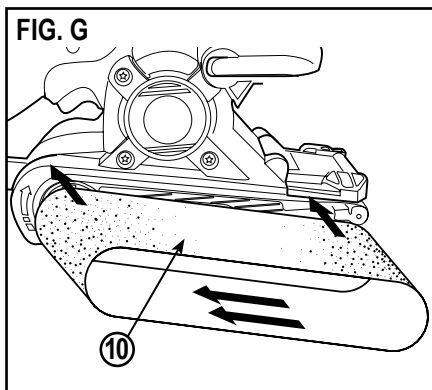
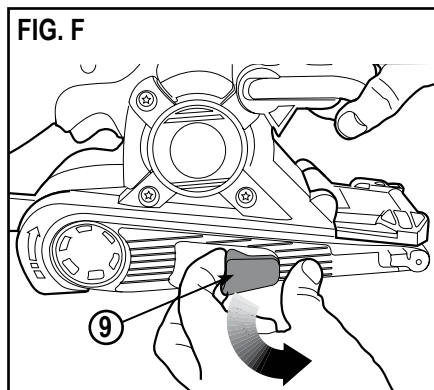


FIG. E





Специфікації

| | STBS720 |
|----------------------------|-----------|
| Потужність | 720W |
| Напруга | 220-240V |
| Частота | 50/60Hz |
| Швидкість без навантаження | 800/хвил. |

НЕ ПОВЕРТАЙТЕ ЦЕЙ ВИРОБ В МАГАЗИН,
спочатку зверніться в місцевий офіс STANLEY або в
найближчий авторизований сервісний центр.

Загальні правила безпеки



Застереження! Ознайомтеся з усіма інструкціями. Недотримання інструкцій, зазначених нижче, може призвести до

ураження електричним струмом, пожежі та/або серйозної травми.

ЗБЕРЕЖІТЬ ЦІ ІНСТРУКЦІЇ

Правила техніки безпеки

Загальні попередження з техніки безпеки електроінструментів



Увага! Ознайомтеся з усіма правилами безпеки та інструкціями. Недотримання

попереджень та інструкцій, зазначених нижче, може призвести до ураження електричним струмом, пожежі та/або серйозної травми.

Збережіть всі попередження та інструкції для майбутнього використання.

Термін "електроінструмент" у всіх попередженнях, зазначених нижче, відноситься до мережевого (з кабелем) електроінструменту або акумуляторної батареї (без кабелю живлення).

1. Безпека робочого місця

- Утримуйте робоче місце в чистоті і добре освітленим.** Безлад на робочому місці або відсутність освітлення робочого місця може призвести до аварії.
- Не працюйте з електроінструментом в місці зберігання вибухонебезпечних матеріалів, наприклад, у присутності легкозаймистих рідин, газів або пилу.** Електричні інструменти створюють іскри, що можуть запалити пил або пари.
- Діти і сторонні особи повинні знаходитися якнайдалі під час роботи з електроприладами.** Ви можете відволіктися і втратити контроль.

2. Електробезпека

- Вилка електроінструмента повинна відповідати розетці. Ніколи не змінюйте вилку будь-яким чином. Не використовуйте ніякі вилки-перехідники з заземленими (замкнутими на землю) електроінструментами.** Вилки і розетки, які не піддавалися ніяким змінам знижують ризик ураження електричним струмом.
- Уникайте контакту тіла з заземленими поверхнями, такими як труби, радіатори, плити та холодильники.** Існує підвищений ризик ураження електричним струмом, якщо ваше тіло заземлене.
- Уникайте будь-якого впливу дощу або вологи на електроінструменти.** Вода, що потрапила в електроінструмент, збільшує ризик ураження електричним струмом.
- Обережно поведіться зі шнуром живлення. Ніколи не використовуйте шнур живлення для перенесення, переміщення або вилучення вилки з розетки. Тримайте шнур подалі від джерел тепла, масла, гострих країв або рухомих частин.** Пошкоджені або заплутані шнури збільшують ризик ураження електричним струмом.
- При роботі з електроінструментом на вулиці, використовуйте подовжувач, відповідний для зовнішнього використання.** Використання кабелю, придатного для використання на відкритому повітрі, знижує ризик ураження електричним струмом.
- При необхідності роботи з електроінструментом у вологому середовищі, використовуйте пристрій захисного відключення (ПЗВ).** Використання ПЗВ знижує ризик ураження електричним струмом. Примітка: визначення "Пристрій захисного відключення (RCD)" може бути замінено на "Переривник схеми замикання на землю (GFCI)" або "Автоматичний вимикач витоку на землю (ELCB)".

3. Особиста безпека

- Будьте уважні, дивіться, що ви робите, використовуйте здоровий глузд при роботі з електроприладами. Не використовуйте електроінструмент, якщо ви втомилися або перебуваєте під впливом наркотиків, алкоголю або ліків.** Найменша необережність при роботі з електроінструментом може призвести до серйозних травм.
- Використовуйте засоби індивідуального захисту. Завжди надягайте захисні окуляри.** Інше захисне обладнання, включаючи респіратор, черевки на нековзній підшві, захисний шолом або засоби захисту органів слуху, використовувани в належних умовах, зменшать ризик отримання травми.

c. Для запобігання випадкового запуску, переконайтеся, що перемикач знаходиться у вимкненому положенні перед підключенням до джерела живлення та/або акумуляторної батареї, підняття або перенесення інструменту. Не переносьте електроінструмент з пальцем на викикачі і не включайте електроживлення на інструмент з увімкненим викикачем, що може призвести до нещасного випадку.

d. Перед включенням електроінструменту знімайте регулювальний або гайковий ключ. Гайковий або регулювальний ключ, залишений на обертівій частині електроінструменту, може призвести до травми.

e. Не тягніться. Зберігайте правильну стійку і баланс весь час. Це дозволяє краще контролювати інструмент в несподіваних ситуаціях.

f. Одягайтеся правильно. Не надягайте вільний одяг або прикраси. Тримайте волосся, одяг і рукавички далеко від рухомих частин. Вільний одяг, прикраси або довге волосся можуть потрапити в рухомі частини.

g. Якщо є пристрої для підключення пилосбірника або витяжки, переконайтеся в тому, що вони під'єднані і використовуються правильно. Використання пилосбірника знижує ймовірність виникнення ризиків, пов'язаних з пилом.

4. Використання та догляд за електроінструментом

a. Не перевантажуйте електроінструмент. Використовуйте відповідний електричний інструмент для відповідного застосування. Правильно підібраний електроінструмент дозволить виконати роботу краще і безпечніше при швидкості, для якої він був розроблений.

b. Не використовуйте електроінструмент, якщо перемикач не може його включити і вимкнути. Будь-який електроінструмент, який не можна контролювати за допомогою перемикача, є небезпечним і повинен бути відремонтований.

c. Від'єднайте кабель живлення від джерела живлення та/або акумулятора від електричного інструменту перед виконанням будь-яких регулювань, заміни приладдя або при зберіганні електроінструменту. Такі профілактичні заходи безпеки зменшують ризик ненавмисного запуску електричного інструменту.

d. Зберігайте електроприлади в недоступному для дітей місці і не дозволяйте особам, які не знайомі з електричним інструментом або даними інструкціями, працювати з електроприладами. Електроінструменти небезпечні в руках недосвідчених користувачів.

e. Підтримання електроінструменту. Перевіряйте розрзугування або з'єднання рухомих частин, поломки частин і будь-які інші умови, які можуть вплинути на роботу електроінструменту. При

наявності пошкодження, відремонтуйте електроінструмент перед використанням. Багато нещасних випадків є наслідком поганого догляду за електроінструментом.

f. Тримайте ріжучий інструмент гострим і чистим. Добре доглянутий ріжучий інструмент з гострими ріжучими крайками легше контролювати.

g. Використовуйте електроінструмент, аксесуари та насадки відповідно до цих вказівок, приймаючи до уваги умови роботи і ті роботи, які повинні бути виконані. Використання електроінструменту для операцій, які відрізняються від тих, для яких він призначений, може призвести до небезпечної ситуації.

5. Обслуговування

a. Забезпечте, щоб обслуговування і ремонт вашого електроінструменту проводився в авторизованому сервісному центрі по ремонту з використанням тільки оригінальних запасних частин. Це стане гарантією безпеки електроінструменту.

• Тримайте інструмент за ізольовані поверхні під час роботи, при якій ріжучий інструмент може зачепити приховану проводку або власний кабель. При контактi ріжучого аксесуара з «працюючим» проводом або відкритими металевими частинами електроінструменту оператора може вдарити електричним струмом.

• Використовуйте лещата або інше відповідне пристосування для забезпечення і підтримки оброблюваного виробу на стійкій платформі. Проведення роботи по напрямку руки або проти вашого тіла, позбавляє стійкості і може призвести до втрати контролю.



Увага! Дотримуйтесь особливої обережності при шліфуванні деяких сортів дерева (наприклад, бук, дуб) і металу, оскільки в процесі роботи може утворюватися токсичний пил. Одягайте респіратор, спеціально розроблений для захисту від токсичного пилу і парів і стежте, щоб особи, які перебувають в робочій зоні, також були захищені.

6. Етикетки на інструменті

Етикетки на вашому інструменті можуть включати такі символи:



Читайте інструкції з експлуатації

Гц Герц



Конструкція класу II

Вт Ватт



Використовуйте засоби захисту очей

мин хвилини



Термінал заземлення



Використовуйте засоби захисту органів слуху

~ Змінний струм



Символ попередження про небезпеку

===== Постійний струм



Символ попередження про небезпеку

хв..

хв..

обороти або зворотню поступальний рух в хвилину

V Вольт

n₀ Швидкість без навантаження

A Ампер

Положення дати штрих-коду

Дата коду, який також включає рік виготовлення, друкується на корпусі.

Приклад:

2014 XX JN
Рік виготовлення

7. Електрична безпека



Цей інструмент захищений подвійною ізоляцією, тому заземлюючий провід не потрібно. Завжди перевіряйте, щоб напруга мережі відповідала напрузі, вказаній на табличці.



Застереження! Якщо шнур живлення пошкоджений, він повинен бути замінений виробником або уповноваженим сервісним центром STANLEY для того, щоб уникнути небезпеки.

Залишкові ризики

Додаткові залишкові ризики можуть виникнути при використанні інструменту, який не може бути включений в описані тут правила техніки безпеки. Ці ризики можуть виникнути при неправильному або тривалому використанні виробу і т.д.

Незважаючи на дотримання відповідних правил техніки безпеки та використання запобіжних пристроїв, деяких залишкових ризиків неможливо уникнути. Вони включають в себе:

- Травми в результаті торкання обертових/рухомих частин.
- Ризик отримання травми під час зміни деталей інструменту, ножів або насадок.
- Травми, викликані тривалим використанням інструменту. При використанні інструменту протягом тривалого часу робіть регулярні перерви в роботі.
- Поганий слух
- Збиток здоров'ю внаслідок вдихання пилу при використанні інструменту (приклад: робота з деревом, особливо, з деревиною дуба, бука і деревоволокнистими плитами середньої щільності)

Особливі правила з техніки безпеки

- Уникайте тривалого контакту з пилом від джерела шліфування, пиляння, свердління та інших будівельних робіт. Одягайте захисний одяг і вимивайте відкриті ділянки тіла водою з милом. Потраплення пилу в рот, очі або на шкіру може стати причиною отруєння шкідливими хімічними речовинами.



Застереження! При використанні цього інструмента утворюється і/або розповсюджується пил, який може призвести до серйозної і постійної травми дихальних шляхів або інших травм. Завжди використовуйте відповідні засоби захисту органів дихання від впливу

пилу, схвалені NIOSH/OSHA. Захистіть обличчя і тіло від прямого попадання частинок.



Увага! Одягайте відповідні засоби захисту органів слуху під час роботи. При деяких умовах і тривалості використання, шум від цього продукту може сприяти втраті слуху.



Увага!

- Завжди надягайте засоби захисту очей та органів дихання.
- Періодично очищайте інструмент.

Додаткові заходи безпеки для шліфувального верстата

Шліфування

Фарби на основі свинцю

Шліфування поверхонь, покритих фарбою на основі свинцю не рекомендується через складність контролю за пилом. Діти та вагітні жінки наражаються на небезпеку отруєння свинцем. Оскільки складно визначити без хімічного аналізу чи містить фарба свинець чи ні, ми рекомендуємо при шліфуванні пофарбованих поверхонь приймати наступні запобіжні заходи:

Особиста безпека

- Діти та вагітні жінки не повинні входити в робочу зону, де проводиться шліфування пофарбованих поверхонь, до тих пір, поки в них не проведена повне прибирання.
- Всі співробітники, що входять в робочу зону, повинні носити маску або респіратор. Фільтр необхідно замінювати щодня або всякий раз, коли ви відчуваєте утруднення дихання.

Примітка: Необхідно використовувати тільки ті респіратори, які підходять для захисту від пилу від свинцевих фарб. Звичайні маски не забезпечують необхідний захист. Зверніться до місцевого дилера для покупки відповідної маски, затвердженої NIOSH.

- **ЗАБОРОНЕНО ПРИЙМАТИ ЇЖУ, ПИТИ І КУРИТИ** в робочій зоні, щоб запобігти заковтуванню часток фарби. Робітники повинні вимитися перед їжею, пивом або курінням. Продукти харчування, напої і сигарети не слід залишати в робочій зоні, оскільки на них може осідати пил.

Екологічна безпека

- Фарба повинна бути вилучена таким чином, щоб звести до мінімуму кількість пилу, що утворюється.
- Місця, в яких проводиться видалення фарби, повинні бути ізольовані/закриті пластиковою плівкою товщиною 4 мл.
- Шліфування повинно проводитися таким чином, щоб зменшити поширення пилу від фарби за межами робочої зони.

Очищення і знешкодження

- Всі поверхні в робочій зоні повинні щодня очищатися за допомогою пилососа і ретельно прибираються протягом усього часу здійснення робіт, пов'язаних зі шліфуванням. Мішки для сміття для пилососа повинні мінятися якомога частіше.
- Пластикові пакети зі спеодягом повинні збиратися і утилізуватися разом з усіма залишками пилу або іншим сміттям. Їх необхідно поміщати в герметично закриті контейнери і утилізувати в процесі регулярного вивезення сміття. Під час прибирання діти та вагітні жінки повинні знаходитися в стороні від робочої зони.
- Всі іграшки, меблі і посуд, використовувані дітьми, повинні бути ретельно вимиті перед повторним використанням.

Двигун

Переконайтеся, що параметри електроживлення збігаються з маркуванням на заводській табличці. Ця інформація друкується на табличці. Більш низька напруга може призвести до втрати живлення та перегрівання. Всі інструменти STANLEY пройшли тестування на заводі-виробнику, якщо цей інструмент не працює, перевірте джерело живлення.


Використання подовжувачів

Переконайтеся, що подовжувач знаходиться в хорошому стані перед використанням. Завжди використовуйте відповідні подовжувачі з даним інструментом - тобто, подовжувачі з правильним розміром дроту для кабелю різної довжини і досить важкі, щоб подавати інструменту потрібне харчування. Використання дроту меншої довжини може викликати падіння напруги і призведе до втрати потужності і перегріву.

Характеристики (мал. А)

1. Замок на перемикач для безперервного використання
2. Качка для видалення пилу
3. Регульована ручка
4. Алюмінієва кришка
5. Ручка регулювання стрічки конвеєра
6. Шліфувальна стрічка
7. Важіль фіксатора стрічки одинарної дії

Регулювання

 **Увага!** Для запобігання випадкового натискання, вимкніть і відключіть шліфувальний верстат від мережі перед виконанням наступних операцій. Недотримання цієї вимоги може привести до серйозних травм.

Рукоятка з 3 положеннями (мал. В1 і В2)

Запірний механізм на стороні ручки може бути ослаблений, щоб ручка могла переміщатися. Щоб відрегулювати ручку, натиснете на фіксатор (мал. В1) і перемістіть ручку в потрібне положення (мал. В2). Після того, як ручка встала в потрібне положення, натисніть на фіксуєчий важіль і зафіксуйте ручку в потрібне положення.

Кожух ремня з 2 положеннями (мал. С і D)

Шліфувальний верстат має алюмінієву кришку шліфувальної стрічки спереду. Коли ручка розташована в самому верхньому положенні, ця кришка може бути піднята, як показано на мал. С (стрілка 1) і блокується в цьому положенні:

- а. Покращує доступність до вузьких зон.
- б. Дозволяє використання переднього ролика меншого діаметру для шліфування (зазвичай алюмінієва кришка запобігає цьому, коли в положенні «вниз»).
- с. Відкрите верхню частину ремня для більш різностороннього шліфування (мал. D).

Щоб опустити кришку ремня, необхідно зрозуміти фланець на стороні і перемістити його трохи в напрямку, показаному на мал. С (стрілка 2) і закрити його.

Примітка: кожух шліфувальної стрічки не може бути заблокований в піднятому положенні, якщо тільки ручка не знаходиться в піднятому положенні.




Увага! Шліфувальна стрічка відкривається, коли піднімається кожух. Будьте особливо обережні при роботі в цьому режимі.

Зміна шліфувальної стрічки (мал. F і G)

Застереження! Для запобігання випадкового натискання, вимкніть і відключіть шліфувальний верстат перед зміною шліфувальної стрічки. Потягніть важіль, показаний на мал. 5, щоб послабити натяг на шліфувальну стрічку. Зніміть шліфувальну стрічку з двох роликів. Поставте нову шліфувальну стрічку 3"х 21" (76 х 533 мм) в потрібне положення на передніх і задніх роликах (мал. 6). Переконайтеся, що стрілки на шліфувальній стрічці і ремні шліфувального верстата вказують в одному і тому ж напрямку. Натисніть на важіль ззаду, щоб затягнути шліфувальну стрічку.

Пилосбірник (мал. H)

 **Застереження!** Для запобігання випадкового натискання, вимкніть і відключіть шліфувальний верстат перед установкою мішка для збору пилу.

При використанні шліфувального верстата, утворюється пил і пісок. Необхідно використовувати мішок. Для під'єднання пилозбірника, посуňte пластиковий отвір мішка вниз до випускного отвору для пилу шліфувального верстата як показано на мал. 7. Щоб очистити пилозбірник, зніміть його зі шліфувального верстата і растегніть мішок над сміттєвим контейнером.



Застереження! Небезпека пожежі. Зібрана пил від шліфування поверхонь, покритих поліуретаном, лляною олією і т.д. може загорітися в мішку для збору шліфувального пилу або в іншому місці і викликати пожежу. Щоб зменшити ризик, як можна частіше звільняйте мішок і суворо дотримуйтесь посібника користувача до шліфувального верстата і інструкцій виробника покриття.



Застереження! Небезпека пожежі. При роботі з металевими поверхнями, не використовуйте мішок для пилу або пиросос, тому що можуть утворюватися іскри. Одягайте захисні окуляри і респіратор. Через небезпеку пожежі, не використовуйте шліфувальний верстат для поверхонь з напленням магнію. Не використовуйте верстат для вологого шліфування.

Процес роботи

Використання шліфувального верстата (мал. I)

Завжди тримайте шліфувальний верстат обома руками під час шліфування, як показано на мал. I.

Примітка: ручка шліфувального верстата може бути встановлена в трьох різних положеннях, як описано вище.

Перемикач (мал. J і K)

Щоб включити шліфувальний верстат, натисніть на перемикач вкл./викл., як показано на мал. J. Щоб зупинити ваш шліфувальний верстат, відпустіть перемикач вкл./викл.

Для безперервної роботи, натисніть перемикач вкл./викл., утримуйте кнопку блокування (мал. K) і відпустіть перемикач вкл./викл., щоб зупинити свій шліфувальний верстат, натисніть перемикач вкл./викл., щоб звільнити кнопку блокування, натисніть на перемикач вкл./викл., відпустіть перемикач вкл./викл.

Корисні поради

- Завжди включайте свій шліфувальний верстат, до того, як він увійде в контакт із заготівлею, та не вимикайте його, поки не зніміть його з заготівлі.
- Завжди тримайте шліфувальний верстат двома руками.
- Якщо можливо, зафіксуйте заготівлю на верстаті або аналогічній міцній поверхні.

- Використовуйте правильну зернистість шліфувальної стрічки. Нижче пропонується список зернистості шліфувальної стрічки для використання з різними матеріалами.

| Матеріал | Зернистість стрічки |
|-----------------|--------------------------|
| Тверда деревина | 80 |
| Шпон | 150 |
| ДСП | 60/80 |
| Пластмаси | 100 |
| Сталь | 80 (зніміть пилозбірник) |
| Зняття фарби | 40/60 |
| Коркове дерево | 100 |
| Акрил | 100 |

Догляд за інструментом і технічне обслуговування

Ваш інструмент розрахований на роботу протягом тривалого періоду часу при мінімальному технічному обслуговуванні. Термін служби і надійність залежать від правильного догляду та регулярного чищення.

Ніколи не застосовуйте надмірну силу при використанні шліфувального верстата. Застосування надмірної сили може призвести до перевантаження і викликати пошкодження двигуна або заготовки. Якщо ваш стрічковий шліфувальний верстат стає занадто гарячим, дайте йому попрацювати без навантаження протягом 2 хвилин. Вентиляційні охолоджуючі отвори завжди повинні бути чистими. Для очищення шліфувального верстата, виконайте такі дії:



Застереження! Для запобігання випадкового натискання, вимкніть і відключіть шліфувальний верстат від харчування перед виконанням роботи. Недотримання цієї вимоги може привести до серйозних травм.

- Використовуйте чисту суху кисть, щоб очистити вентиляційні отвори і канали.
- Для чищення корпусу, використовуйте чисту вологу тканину (не використовуйте розчинники, газ або скипидар).



Важливо! Для забезпечення БЕЗПЕКИ і ДОВГОВІЧНОСТІ виробу, ремонт, догляд і регулювання повинні проводитися в авторизованих сервісних центрах або кваліфікованим персоналом з використанням тільки оригінальних запасних частин.

Акcesуари

Продуктивність електроінструменту залежить від використовуваних акcesуарів. Акcesуари STANLEY розроблені у відповідності з високими стандартами якості, щоб підвищити продуктивність електроінструменту.

Використовуйте тільки шліфувальні стрічки 3"x21" (76x533 мм). Рекомендовані акcesуари для використання з вашим інструментом доступні за додаткову плату у вашого місцевого дилера або в авторизованому сервісному центрі.

Інформаційна служба

STANLEY пропонує повну мережу авторизованих сервісних центрів, що належать компанії. Всі сервісні центри STANLEY укомплектовані персоналом, який пройшов навчання, щоб надати клієнтам ефективний і надійний сервіс. Для отримання більш докладної інформації про наші авторизовані сервісні центри, і якщо вам необхідний технічна рада, ремонт або оригінальні запасні частини, зверніться до найближчого до вас центру STANLEY.

Повна гарантія терміном на два роки



Роздільний збір і утилізація. Цей продукт не слід утилізувати разом з побутовим сміттям.

Якщо ви зрозумієте, що ваш продукт Stanley потребує заміни, або якщо він не має ніякого подальшого застосування для вас, не викидайте його разом з побутовими відходами. Надайте цей продукт для роздільного збору/утилізації.



Роздільний збір продуктів і упаковок дозволяє здійснити їх переробку і використати їх повторно. Повторне використання перероблених матеріалів допомагає захищати довкілля від забруднення і знижує витрату сировинних матеріалів.

Місьцеве законодавство може забезпечити збір старих електроінструментів окремо від побутового сміття на муніципальних звалищах відходів або в торговому підприємстві при купівлі нового виробу. Stanley забезпечує можливість для збору і утилізації продуктів Stanley, як тільки вони досягли кінця свого терміну служби. Для того, щоб скористатися цією послугою, ви можете здати ваш виріб у будь-який авторизований сервісний центр, який збирає їх за нашим дорученням.

Ви можете упізнати місце знаходження вашого найближчого авторизованого сервісного центру, звернувшись в місцеве відділення Stanley за адресою, вказаною в цьому керівництві. Крім того, список авторизованих ремонтних агентів Stanley і повну інформацію про наше післяпродажне обслуговування і контакти ви можете знайти в Інтернеті: www.2helpu.com10

Два рік повної гарантії

Якщо ваш продукт STANLEY виходить з ладу із-за дефектних матеріалів або виготовлення впродовж 24 місяців з дати купівлі, STANLEY Europe гарантує заміну усіх несправних деталей безкоштовно або - на власний розсуд - заміну продукту безкоштовно за умови, що:

- Продукт використовувався правильно, його експлуатація проводилася строго відповідно до інструкції з експлуатації.
- Продукт піддавався звичайному зносу;
- Ремонт не проводився сторонніми особами;
- Представлені документи, що підтверджують купівлю.
- Продукт STANLEY повертається в повному комплекті з усіма оригінальними компонентами

Якщо ви хочете зробити заявку, зв'яжіться з продавцем або з'ясуйте місце знаходження вашого найближчого авторизованого сервісного агента Stanley в каталозі Stanley або зверніться в місцеве представництво Stanley за адресою, вказаною в цьому посібнику. Список авторизованих сервісних агентів Stanley і повну інформацію про наше післяпродажне обслуговування можна знайти в Інтернеті за адресою: www.stanleytools.com

STANLEY

Гарантійні умови

Шановний покупець!

1. Вітаємо Вас з покупкою високоякісного виробу STANLEY і висловлюємо вдячність за Ваш вибір.
2. При покупці виробу вимагайте перевірки його комплекtnості і справності у Вашій присутності, інструкцію за експлуатації та заповнений гарантійний талон українською мовою

В гарантійному талоні повинні бути внесені: модель, дата продажу, серійний номер, дата виробництва інструменту; назва, печатка і підпис торгової організації. За відсутності у Вас правильно заповненого гарантійного талону, а також при невідповідності зазначених у ньому даних ми будемо змушені відхилити Ваші претензії щодо якості даного виробу.

3. Щоб уникнути непорозумінь, переконливо просимо Вас перед початком роботи з виробом уважно ознайомитися з інструкцією з його експлуатації. Правовою основою справжніх гарантійних умов є чинне Законодавство. Гарантійний термін на даний виріб складає 24 місяці і обчислюється з дня продажу. У разі усунення недоліків виробу, гарантійний строк продовжується на період його перебування в ремонті. Термін служби виробу становить 5 років з дня продажу.
4. У разі виникнення будь-яких проблем у процесі експлуатації виробу рекомендуємо Вам звертатися тільки в уповноважені сервісні центри STANLEY, адреси та телефони яких Ви зможете знайти в гарантійному талоні, на сайті www.2helpU.com або дізнатися в магазині. Наші сервісні станції - це не тільки кваліфікований ремонт, але і широкий асортимент запчастин і аксесуарів.
5. Виробник рекомендує проводити періодичну перевірку і технічне обслуговування виробу в уповноважених сервісних центрах.
6. Наші гарантійні зобов'язання поширюються тільки на несправності, виявлені протягом гарантійного терміну і викликані дефектами виробництва та \ або матеріалів.
7. Гарантійні умови не поширюються на несправності виробу, що виникли в результаті:
 - 7.1 Недотримання користувачем приписів інструкції з експлуатації виробу, застосування виробу не за призначенням, неправильного зберігання, використання приладдя, витратних матеріалів і запчастин, що не передбачені виробником.
 - 7.2 Механічного пошкодження (відколи, тріщини і руйнування) внутрішніх і зовнішніх деталей виробу, основних і допоміжних рукояток, мережевого кабелю, що викликані зовнішнім ударним або будь-яким іншим впливом

- 7.3 Потрапляння у вентиляційні отвори та проникнення всередину виробу сторонніх предметів, матеріалів або речовин, що не є відходами, які супроводжують застосування виробу за призначенням, такими як: стружка, тирса, пісок, та ін.
- 7.4 Вплив на виріб несприятливих атмосферних і інших зовнішніх факторів, таких як дощ, сніг, підвищена вологість, нагрівання, агресивні середовища, невідповідність параметрів електромережі, що зазначені на інструменті.
- 7.5 Стихійного лиха. Пошкодження або втрати виробу, що пов'язані з непередбаченими лихами, стихійними явищами, у тому числі внаслідок дії непереборної сили (пожежа, блискавка, потоп і інші природні явища), а також внаслідок перепадів напруги в електромережі та іншими причинами, які знаходяться поза контролем виробника.
8. Гарантійні умови не поширюються:
 - 8.1. На інструменти, що піддавались розкриттю, ремонту або модифікації поза уповноваженим сервісним центром.
 - 8.2. На деталі, вузли та матеріали, що мають сліди природного зносу, такі як: приводні ремені і колеса, вугільні щітки, мастило, підшипники, зубчасті зчеплення редукторів, гумові ущільнення, сальники, направляючі ролики, муфти, вимикачі, бойки, штовхачі, стволи тощо.
 - 8.3. На змінні частини: патрони, цанги, затискні гайки і фланці, фільтри, акумуляторні батареї, ножі, шліфувальні підшви, ланцюги, зірочки, пильні шини, захисні кожухи, пилки, абразиви, пильні і абразивні диски, фрези, свердла, бури тощо
 - 8.4. На несправності, що виникли в результаті перевантаження інструменту (як механічного, так і електричного), що спричинили вихід з ладу одночасно двох і більше деталей і вузлів, таких як: ротора і статора, обох обмоток статора, веденої і ведучої шестерень редуктора або інших вузлів і деталей. До безумовних ознак перевантаження виробу відносяться, крім інших: поява кольорів мінливості, деформація або оплавлення деталей і вузлів виробу, потемніння або обвуглювання ізоляції проводів електродвигуна під впливом високої температури.



Виробник:
"Stanley Black & Decker Deutschland GmbH" Black-&-Decker Str.40, D-65510 Idstein, Німеччина

Names & Addresses for STANLEY Service Concessionaries - MIDDLE EAST & AFRICA

ALGERIA: Sarl Outillage Corporation, 08 Rue Med Boudiaf - Cheraga - Algiers, Algeria. Tel: (213-21) 375130, Fax: (213-21) 369667. **ANGOLA:** Angoferraria, Lda., Rua Robert Shields, No. 61, Luanda, Angola. Tel: 00244-222-395837 / 222-395034, Fax: 00244-222-394790. **AZERBAIJAN:** Royalton Holdings Ltd. 41 Khagani St. Apt. 47 AZ 1001, Baku. Tel: (994-12) 4935544, Fax: (994-12) 5980378. **BAHRAIN:** Kavalani & Sons W.L.L., P.O. Box 71, Sitra, Manama, Tel: (973) 17732888, Fax: (973) 17737379. Alfouz Services Co. W.L.L., P.O. Box 26562, Tubli, Manama. Tel: (973) 17783562, Fax: (973) 17783479. **Egypt:** El Farab S.A.E., 15-Nabil El Wakkad Street, Dokki, Giza, Egypt. Tel: 00202-37603946 / 002-010-2582544, Fax: 00202-33352796. **ETHIOPIA:** Seif Tewfik Sherif, Arada Sub-City, Kebele 01/02, Global Insurance Building, 2nd Floor, Room 43, P.O. Box 2525, Addis Ababa, Ethiopia. Tel: (251-11) 1563968/ 1563969, Fax: (251-11) 1558009. **IRAQ:** Financial Links, Kazzaz Building Ararat Al-Hindia Block No: 629 Street: 31 Building No: 1 Baghdad - Iraq. Tel: 00964 (0)780 195 2223/ 00964 (0)781 3763044. Al Sard Co. for General Trading Ltd. Jbara Bldg. 3Flr, Al Rasheed St. Baghdad. Tel: (964) 18184102. Sakhar Group, Arrasat al-hindya Al Masbah, Baghdad. (964) 7400144446. **JORDAN:** Palestine Bldg. (Bashiti Hardware), 93 King Abdullah 2nd Street. Opp. ELBA House, P.O. Box 3005, Amman 11953, Tel: (962-6) 5349098, Fax: (962-6) 5330731. **KENYA:** Dextron Tools Ltd., P.O. Box 20121-00200, Shariff House, Kimathi Street, Nairobi. Tel: (254-20) 6905000/ 2358021, Fax: (254-20) 6905111/ 6905112. **KUWAIT:** Al Omar Technical Co., P.O. Box 4062, 13041 Safat, Kuwait. Tel: (965) 24848595/ 24840039, Fax: (965) 24845652. Fawaz Al Zayani Establishment, P.O. Box 42426, Shop No. 18, Al Humaizi Commercial Complex, Khalifa Al Jassim, Shuwaikh, Kuwait. Tel: (965) 24828710, Fax: (965) 24828716. Fawaz Al Zayani Establishment, P.O. Box 42426, Shop No.18, Al Humaizi Commercial Complex, Khalifa Al Jassim, Shuwaikh, Kuwait. Tel: (965) 24828710, Fax: (965) 24828716. **LEBANON:** Est. Shaya & Azar S.A.R.L., Boulevard Jdeideh - Mar Takla - Bouchrieh, P.O. Box 90545 Jdeideh.Beirut - Lebanon. Tel: 00961 1 872305 / 306 , Fax: 00961 1 872303. **LIBYA:** North Africa Trading (El Ghoul Brothers), AlHilal Service Center Tawergha St. Misurata. Tel: 00218-091-3221408. **(Benghazi)** Sniydal st., Amr Ibn El-Aas Rd. Tel: (+218) 92 5771120. **(Tripoli)** Al Barniq Service Center, Mokhazin elskur st., ElFallah. Tel: (+218) 21 4808019. **(Misrata)** Al Hilal Service Center, Tawergha st. Tel: (+218) 51 2626743. **MAURITIUS:** Robert Le Marie Limited, Old Moka Road, Bell Village, P.O. Box 161, Port Louis. Tel: 00230-212 1865/ 212 2847, Fax: 00230-2080843. **MOROCCO:** Ets Louis Guillaud & Cie, 149, Quartier Industriel, Moulay Rachid, Casablanca, Postal Code 20450, Morocco. Tel: 00212-522729233, Fax: 00212-522729096. **NIGERIA:** Meridian Power Tools Ltd., Gr.Floor, #1 Alhaji Masha Rd, Next to Teslim Balogun Stadium, Near National Stadium Surulere, Lagos, Nigeria. Tel: 00234-1-7740431 / 7740410, Fax: 00234-1-7913798. **OMAN:** Al Jizzi Company LLC, P.O. Box 1704, PC 112 Ruwi, Oman. Tel: (968) 24832618/ 24835153, Fax: (968) 24831334/24836460. Al Hassan Technical & Construction Supplies Co. LLC, P.O. Box 1948, P.C. 112, Ruwi. Tel: (968) 24810575 / 24837054, Fax: (968) 24810287/ 24833080. Oman Hardware Co. LLC, P.O. Box 635, Ruwi Postal Code 112, Te. (968) 24815131, Fax: (968) 24816491. Khimji Ramdas, P.O. Box 19, Post Code 100, Ghalia, Muscat, Oman. Tel: (968) 24595906/ 907, Fax: (968) 24852752. Oman Marketing & Service Co. (Omasco), P.O. Box 2734, Behind Honda Showroom, Wattayah, Oman. Tel: (968) 24560232/ 24560255, Fax: (968) 24560993. Oman Marketing & Service Co. (Omasco), Al Ohi, Sohar, Oman. Tel: (968) 26846379, Fax: (968) 26846379. Oman Marketing & Service Co. (Omasco), Sanaya, Salalah, Oman. Tel: (968) 23212290, Fax: (968) 23210936. **PAKISTAN:** ZIT Co - Nasir & Bros., 2nd Floor, Qadri Center, Chokwal Dargan Railway Road, Lahore, Pakistan. Tel: 0092 42 37670839, Fax: 0092 42 37652989. Ammar Service & Spares, 60-Bank Arcade, Serai Road, Karachi, Pakistan. Tel: (92-21) 32426905, Fax: (92-21) 32427214. **QATAR:** Teyseer Industrial Supplies & Services Co. W.L.L, 55, Al Wakalat St. (Between St. 18 & 19) Salwa Industrial Area, P.O. Box 40523 Doha, Qatar. Tel: (974) 44581536, Fax: (974) 44682024. Shaheen Electrical Works & Trading Co. W.L.L, Gate 34, St. 44 Industrial Area P.O. Box 9756, Doha, Qatar. Tel: (974) 44600230 / 44600525, Fax: (974) 44601338. Al Mufah Service Centre, Al Wakrah Road, P.O. Box 875, Doha, Qatar. Tel: (974) 44650880/ 44650110/ 44446868, Fax: (974) 44441415 / 44662599. **SAUDI ARABIA: (Al Bahr)** Mohamed Ahmed Bin Afif Est., P.O. Box 530, Yanbu, Al Bahr. Tel: (966-4) 3222626/ 3228867, Fax: (966-4) 3222210. **(Al Khobar)** Fawaz Ibrahim Al Zayani Trading Est., P.O. Box 76026, Al Khobar # 31952, Tel: (966-3) 8140914, Fax: (966-3) 8140824. MSS (Al-Mojil Supply & Services) P.O. Box 450, Jubail 31951, Opp. Gulf Bridge Library & Riyadh House. Tel: (966-3) 3612850/ 3624487/ 3621729, Fax: (966-3) 3623589/ 3620783. **(Dammam)** MSS (Al-Mojil Supply & Services), P.O. Box 450, Jubail 31951, Opp-Gulf Bridge Library & Riyadh House. Tel: (966-3) 3612850 / 3624487 / 3621729, Fax: (966-3) 3623589 / 3620783. **(Al Bawardi Tools & Hardware)**, P.O. Box 112, Dammam. Tel: (966-3) 8330780 Ext.24 / 8348585 Ext. 24 / +966-3-8335555, Fax: (966-3) 8336303. **(Al Hassa)** Mutawa Trading & Gen. Services, Maliki road Hafuf city, Al Hassa, KSA. Tel: (966) 50286275 **(Jeddah)** Al Bawardi Tools & Hardware, P.O. Box 16905, Jeddah 21474, Tel: (966-2) 6444547 / 6439035 / 6456095, Fax: (966-2) 6439024. EAC (Al Yousef Contg. & Trdg. Est.), P.O. Box 30377, Jeddah -21477, Tel: (966-2) 6519912, Fax: (966-2) 6511153. **(Madina)** Garziz Trading for Bldg Mat & Decoration, P.O. Box 3364, Madina. Tel: (966-4) 826 14 90 / 8227636, Fax: (966-4) 8265741. **(Riyadh)** Industrial Material Organization (IMO), P.O. Box 623, Rld Street ,Riyadh, Tel: (966-1) 4028010 Ext 26 / 8001245757, Fax: (966-1) 4037970. Sultan Garment Factory (RSC), P.O. Box 29912, Riyadh 11467, KSA, Tel: (966-1) 4055148 / 4042889, Fax: (966-1) 4055148. Al Bawardi Tools & Hardware, P.O. Box 68, Riyadh 11411, Tel: (966-1) 4484999, Fax: (966-1) 4487877. **(Yanbu)** Fawaz Ibrahim Al Zayani, Opposite to Al Fouzan, Jeddah highway or King Abdul Aziz road, Yanbu. Tel: (966-4) 3960980, Fax: (966-4) 3961980. Mohamed Ahmed Bin Afif Est., P.O. Box 530, Yanbu, Al Bahr, Tel: (966-4) 3222626/ 3228867, Fax: (966-4) 3222210. **SOUTH AFRICA:** Stanley Black & Decker - RSA, 199 Winetree Drive Stormill Exit 9 Rooodepoort. Tel: (2711) 472 0454, Fax: (2711) 472 0482. Trevco Power Tool Service 14 Steenbok Street, Koedoespoort, 0186, Pretoria, South Africa. Tel: (27-86) 1873826, Fax: (27-86) 5001771. **TANZANIA:** General Motors investment Ltd., P.O. Box 16541, 14 Nyerere Road, Vingunguti, Dar-es-Salaam. Tel: (255 22) 2862661/ 2865022, Fax: (255 22) 2862667. **TUNISIA:** Societe Tunisienne De Maintenance (STM), Rue de la Physique. Nouvelle Zone Industrielle Ben Arous., 2013 Ben Arous, Tunisia. Tel: (+216) 79 389687, Fax: (+216) 71 385154. **UAE: (Abu Dhabi)** Light House Electrical, P.O. Box 120, Abu Dhabi. Tel: (971-2) 6726131, Fax: (971-2) 6720667. Galaxy Equipment Trading, Madinat Zayed (Baada Zaid), Abu Dhabi P.C. 58910, Tel: (971-2) 8844279, Fax: (971-2) 8844297 **(Ajman)** Al Sukoon Gen. Trdg. Co. LLC, P.O. Box 2975, Ajman. Tel: (971-6) 7435725/ 7438317, Fax: (971-6) 7437350, Al Sukoon Gen. Trdg. Co. LLC, P.O. Box 2975, Ajman, Tel: (971-6) 7435725 / 7438317, Fax: (971-6) 7437350 **(Al Ain)** Zillion Equipment and Spare Parts Trading LLC, P.O. Box 19740, Opp. Bin Sada/ Trimix Redymy Sanaiya, Al Ain. Tel: (971-3) 7216690, Fax: (971-3) 7216103. **(Dubai)** Black & Decker (Overseas) GmbH, P.O. Box 5420, Dubai. Tel: (971-4) 8127400/ 8127406, Fax: (971-4)2822765. Ideal Star Workshop Eqp't.Trading LLC, P.O. Box 37116, Al Quoz, Dubai. Tel: (971-4) 3474160, Fax: (971-4) 3474157, Fine Tools, P.O.Box 30139, Al Quoz, Dubai, Tel: (971-4) 3385240, Fax: (971-4) 3385239, Albreah Engineering Service, P.O. Box 78954, Al Qusais, Dubai. Tel: (971-4) 2850044, Fax: (971-4) 2848402. **(Musafah)** Light House Electrical, P.O. Box 120, Abu Dhabi. Tel: (971-2) 5548315, Fax: (971-2) 5540461. **(Sharjah)** Mc Coy Middle East LLC, P.O. Box 25793, Sharjah. Tel: (971-6) 5395931, Fax: (971-6) 5395932. Burj Al Madeena, Industrial Area No.1, Opp. Pakistani Masjid, P.O. Box 37635, Sharjah. Tel: (971-6) 5337747, Fax: (971-6) 5337719. Burj Al Madeena , Industrial Area No 1, opp Pakistani Masjid P.O. Box 37635, Sharjah. Tel: (971-6) 5337747, Fax: (971-6) 5337719 **(Ras Al Khaimah)** Mc Coy Middle East LLC, P.O. Box 10584, Ras Al Khaimah. Tel: (971-7) 2277095, Fax: (971-7) 2277096. **UGANDA:** The Building Center (U) Ltd., 52 Station Road, Kitgum House, P.O. Box 7436, Kampala, Uganda. Tel: (256-41) 4234567/ 4259754, Fax: (256-41) 4236413. **YEMEN: (Aden)** Middle East Trad. Co. Ltd. (METCO), Mualla Dakka, Aden, Yemen. Tel: (967-2) 222670, Fax: (967-2) 222670. **(Sana'a)** Middle East Trad. Co. Ltd. (METCO), Hayel St., Sana'a, Yemen. Tel: (967-1) 204201, Fax: (967-1) 204204. **(Taiz)** Middle East Trading Co. (METCO), P.O. Box 12363, 5th Flr, Hayel Saeed Anam Bldg, Al-Mugammah St. Taiz, Yemen. Tel: (967-4) 213455, Fax: (967-4) 219869.